

1 FLOOR PLAN
1/4" = 1'-0"

2 REFLECTED CEILING PLAN
1/4" = 1'-0"

FLOOR PLAN LEGEND

- NEW STUD FRAMING AND GYPSUM BOARD WALL
- EXISTING STUD FRAMING AND GYPSUM BOARD WALL TO REMAIN
- EXISTING STUD FRAMING, GYPSUM BOARD WALL AND ASSOCIATED DEVICES TO BE REMOVED
- EXISTING GLAZING TO REMAIN
- NEW WOOD DOOR IN HOLLOW METAL FRAME
- EXISTING DOOR TO REMAIN

REFLECTED CEILING LEGEND

- 2' x 4' S.A.T. AND GRID
- 2' x 4' LAY-IN FLUORESCENT FIXTURE
- EXIT LIGHT - SEE ELECTRICAL

ROOM FINISH SCHEDULE

ROOM NAME	NO.	FLOOR	BASE	WALLS				CEILING	PAINT		REMARKS
				NORTH	EAST	SOUTH	WEST		MAT'L	HT.	
WAITING	101	CPT	VNTL	GYP. BD.	EX. GYP. BD.	EX. GYP. BD.	EX. GYP. BD.	SAT.	9'-10"	YES	NO
OFFICE	102	CPT	VNTL	GYP. BD.	GYP. BD.	GYP. BD.	EX. GYP. BD.	SAT.	9'-10"	YES	NO
TOILET	103	EX. VNTL	EX. VNTL	EX. GYP. BD.	EX. GYP. BD.	EX. GYP. BD.	EX. GYP. BD.	SAT.	9'-10"	YES	NO
OFFICE	104	CPT	VNTL	EX. GYP. BD.	GYP. BD.	GYP. BD.	EX. GYP. BD.	SAT.	9'-10"	YES	NO
CONFERENCE	105	CPT	VNTL	GYP. BD.	EX. GYP. BD.	OFEN	GYP. BD.	SAT.	9'-10"	YES	NO
PASSAGE	106	CPT	VNTL	EX. GYP. BD.	EX. GYP. BD.	OFEN	GYP. BD.	SAT.	9'-10"	YES	NO
STORAGE	107	EXISTING	EXISTING	EX. GYP. BD.	EX. GYP. BD.	EX. GYP. BD.	EX. GYP. BD.	EX. SAT.	9'-10"	NO	NO

NOTES:
1. MATCH ADJACENT PAINT COLOR WHEN REPAIRING DISTURBED AREAS.

DOOR SCHEDULE

NO.	SIZE	MATERIAL		TYPE		H/W SET	REMARKS
		DOOR	FRAME	DOOR	FRAME		
102	3'-0" x 7'-0" x 1 3/4"	WOOD	WOOD	A	A	SET 1	
103	3'-0" x 7'-0" x 1 3/4"	WOOD	WOOD	A	A	SET 2	
104	3'-0" x 7'-0" x 1 3/4"	WOOD	WOOD	A	A	SET 1	

DOOR SCHEDULE NOTES:
1. STAIN WOOD DOOR AND FRAME TO MATCH EXISTING.
2. ALL DOOR HARDWARE TO BE LEVER ACTING.

GENERAL DEMOLITION NOTES

COORDINATE ALL DEMOLITION WORK OUTLINED ON DEMOLITION PLAN WITH NEW FLOOR PLAN LAYOUT TO ALLOW FOR PROTECTION OF EXISTING-TO-REMAIN.

GENERAL CONTRACTOR IS REQUIRED TO COORDINATE WITH ALL OTHER CONTRACTORS FOR ALL DEMOLITION WORK. GENERAL CONTRACTOR SHALL PROVIDE NECESSARY ACCESS FOR OTHER CONTRACTORS REQUIRED TO PERFORM DEMOLITION WORK AS PART OF THEIR SCOPE.

CONTRACTOR IS RESPONSIBLE FOR PATCHING WALLS, FLOORS, ETC. AND LEVELING EXISTING SURFACES AS REQUIRED TO MATCH ALL ADJACENT SURFACES WHERE REMOVAL WORK HAS OCCURRED, ESPECIALLY WHERE REMOVED WALLS INTERSECT WALLS TO REMAIN AND EXISTING FLOORS SCHEDULED FOR NEW FINISHES.

SAW CUT, REMOVE AND PATCH ALL WALLS AND FLOORS AS REQUIRED FOR NEW MECHANICAL, PLUMBING AND ELECTRICAL WORK.

ALL BIDDING CONTRACTORS ARE REQUIRED TO WALK THROUGH THE PROJECT SITE TO BECOME FAMILIAR WITH THE SCOPE AND INTENT OF THE CONSTRUCTION DOCUMENTS.

ALL REFERENCES TO MECHANICAL, PLUMBING AND ELECTRICAL DEMOLITION ARE FOR REFERENCE ONLY. BIDDING CONTRACTORS ARE RESPONSIBLE TO REFER TO MECHANICAL, PLUMBING AND ELECTRICAL DOCUMENTS FOR FULL SCOPE OF REQUIRED DEMOLITION.

TERMINATE ALL UNUSED EXISTING MECHANICAL, ELECTRICAL, AND PLUMBING SYSTEMS PER THE NEW FLOOR PLAN AND ALL APPLICABLE CODES - SEE MECHANICAL, ELECTRICAL AND PLUMBING PLANS.

CHECK ALL WINDOWS FOR LEAKS AND REPAIR AS NEEDED.

DEMOLITION KEY NOTES

(ALL WORK TO BE DONE BY CONTRACTOR UNO)

FLOORING

REMOVE FLOORING WHERE DISTURBED THROUGHOUT. REPAIR FLOOR TO LEVEL SUBSURFACE IN PREPARATION FOR NEW FLOORING.

WALLS

REMOVE WALL AND ALL ASSOCIATED COMPONENTS IN THEIR ENTIRETY. PATCH DAMAGED ADJACENT SURFACES PREPARE FOR NEW WORK.

CEILING

REMOVE SAT, CEILING TILES, GRID, LIGHT FIXTURES AND DIFFUSERS WHERE DISTURBED. SALVAGE LIGHT FIXTURES TO OWNER'S STOCK.

DOORS & WINDOWS

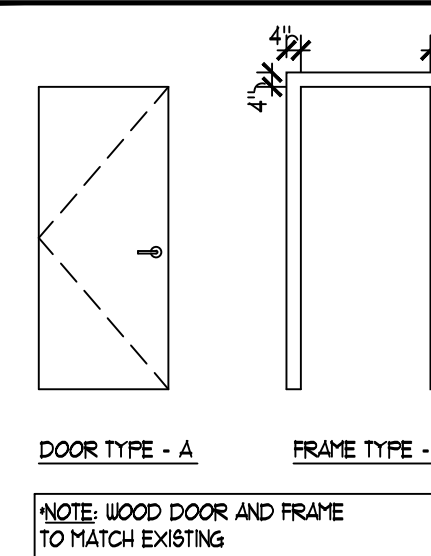
REMOVE EXISTING DOOR INCLUDING ALL FRAMES AND HARDWARE.

HVAC, ELECTRIC, & PLUMBING

RELOCATE EXISTING LAVATORY. CAP OR REMOVE ROUGH INS. PATCH AND PREPARE DAMAGED ADJACENT SURFACES TO MATCH - SEE MEP DRAWINGS.

RELOCATE EXISTING EXIT SIGNAGE AND EMERGENCY LIGHTING - SEE ELECTRICAL.

DOOR & FRAME TYPES



DOOR HARDWARE SET NO. 1
3 MORTISE HINGES
1 CYLINDRICAL LEVER LOCK - OFFICE FUNCTION
3 SILENCERS
1 SURFACE MOUNTED CLOSER WITH HOLD OPEN
1 WALL STOP

DOOR HARDWARE SET NO. 2
3 MORTISE HINGES
1 CYLINDRICAL LEVER LOCK - PRIVACY FUNCTION
3 SILENCERS
1 SURFACE MOUNTED CLOSER WITH HOLD OPEN
1 WALL STOP

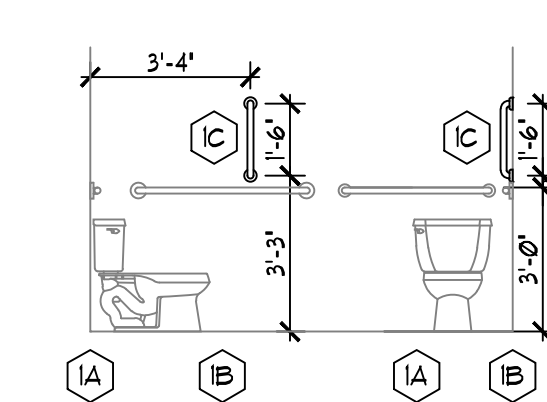
TOILET ACCESSORIES LEGEND

TAG	DESCRIPTION	MANUFACTURER	MODEL*
(A)	GRAB BAR - EXISTING TO REMAIN	--	--
(B)	GRAB BAR - EXISTING TO REMAIN	--	--
(C)	18" VERTICAL GRAB BAR	BOBRICK	B-6806-9918

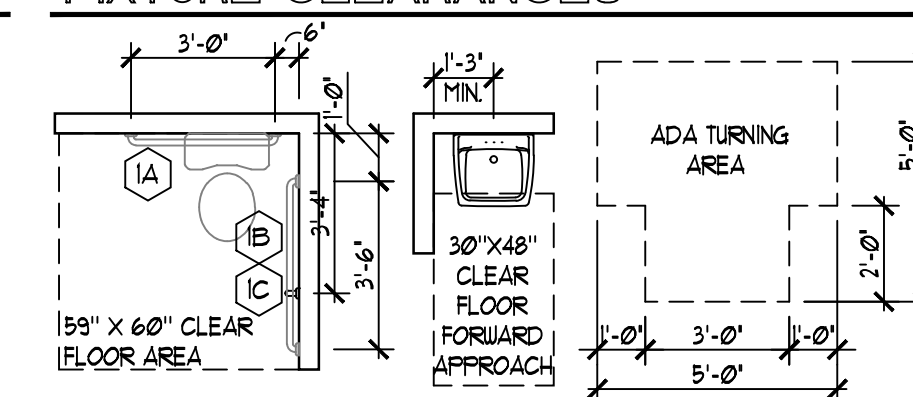
HOT WATER AND DRAIN PIPES UNDER LAVATORIES SHALL BE INSULATED OR OTHERWISE CONFIGURED TO PROTECT AGAINST CONTACT. THERE SHALL BE NO SHARP OR ABRASIVE SURFACES UNDER LAVATORIES.

MOUNTING HEIGHTS

ALL FIXTURES TO MEET ADAAG REQUIREMENTS



FIXTURE CLEARANCES

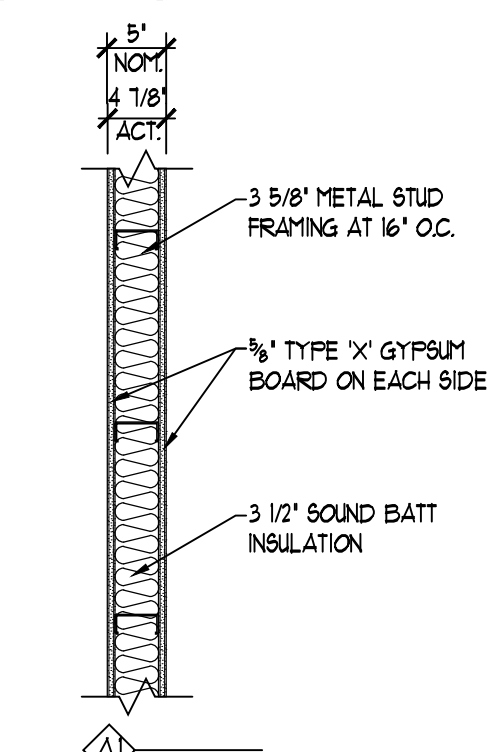


TOILET ACCESSORY NOTES:

- PROVIDE MOUNTING HEIGHTS AND CLEARANCES AS NOTED. CLEAR FLOOR SPACE OF 30" WIDE X 48" DEEP WITH A MAXIMUM OF 29" UNDER THE LAVATORY SHALL BE PROVIDED. LEVER, PUSH OR ELECTRONIC FAUCETS SHALL BE USED. IF SELF CLOSING VALVES ARE USED, THE WATER SHALL FLOW FOR A MINIMUM OF 10 SECONDS.
- HOT WATER AND DRAIN PIPES UNDER LAVATORIES SHALL BE INSULATED OR OTHERWISE CONFIGURED TO PROTECT AGAINST CONTACT (TRU-BRO HANDILAY INSULATION KIT AT ALL EXPOSED PIPING AS BASIS FOR DESIGN). THERE SHALL BE NO SHARP OR ABRASIVE SURFACES UNDER LAVATORIES.
- (SIGNAGE FOR RESTROOM) SHALL BE RAISED AND BRAILLE CHARACTERS AND PICTORIAL SYMBOL SIGNS. SIGNAGE SHALL BE INSTALLED ON THE WALL ADJACENT TO THE LATCH SIDE OF THE DOOR. WHERE THERE IS NO WALL SPACE TO THE LATCH SIDE OF THE DOOR INCLUDING AT DOUBLE LEAF DOORS, SIGNS SHALL BE PLACED ON THE NEAREST ADJACENT WALL. MOUNTING HEIGHT SHALL BE 60 INCHES ABOVE THE FINISH FLOOR TO THE CENTERLINE OF THE SIGN.

WALL TYPE

3/4" = 1'-0"



NOTES:
1. EXTEND 5/8" GYPSUM BOARD TO 6" ABOVE FINISHED CEILING.
2. GYPSUM BOARD TO BE TAPED AND SANDED SMOOTH IN PREPARATION FOR TENANT FINISHES.

SPECIAL OLYMPICS T.I.
 6100 Washington Avenue, Mount Pleasant, Wisconsin
 FLOOR PLAN, R/C PLAN AND DETAILS

600 Fifty-Second Street
 Suite 220
 Kenosha, WI 53142
 Ph: (262) 652-2800
 Fax: (262) 652-2812

Partners in Design
 ARCHITECTS



PROJECT NO.: 16113080
 DRAWN BY: DAC CHECKED BY: MAM
 DATE: 07.16.13
 SHEET NO.:

A1