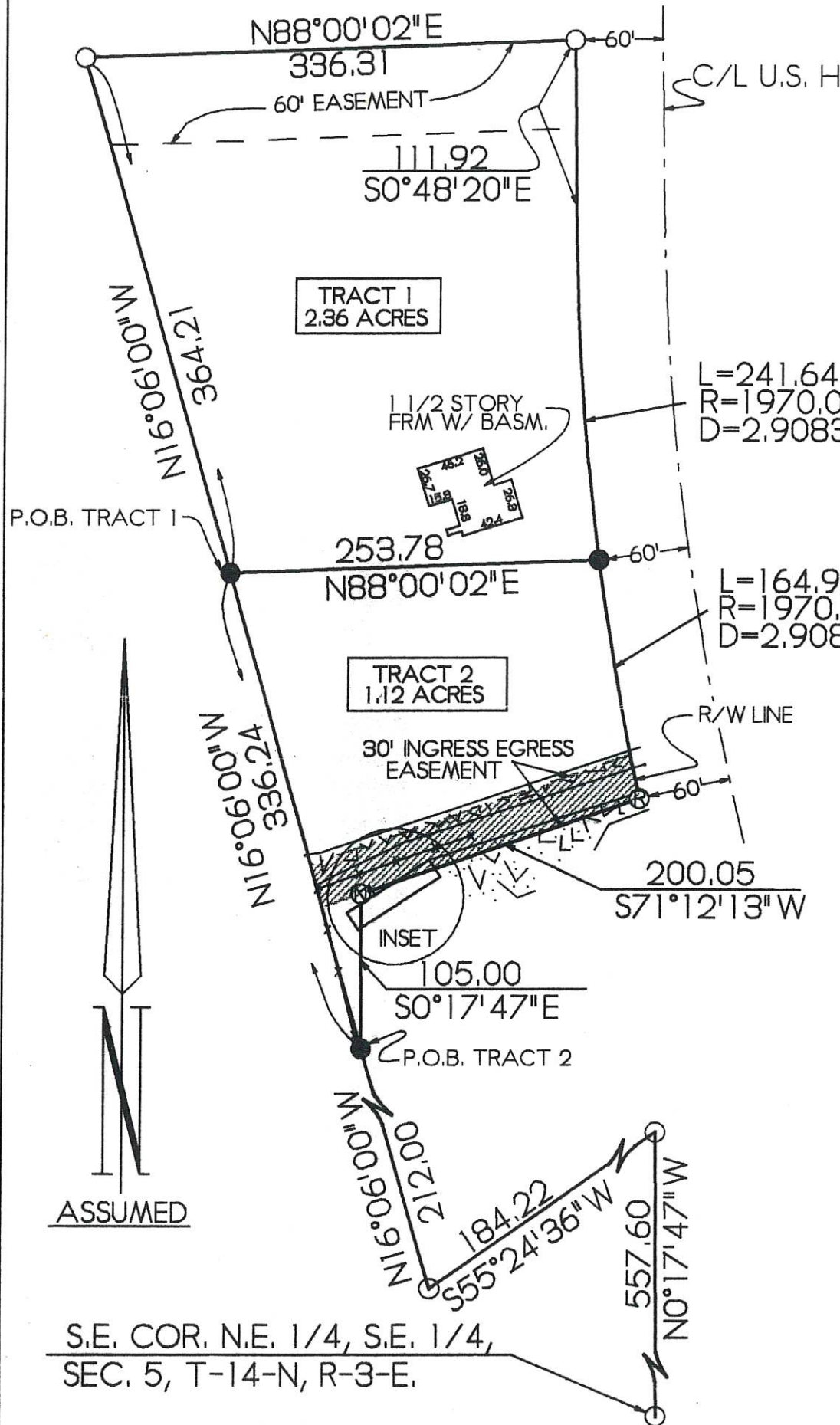


PLAT OF SURVEY

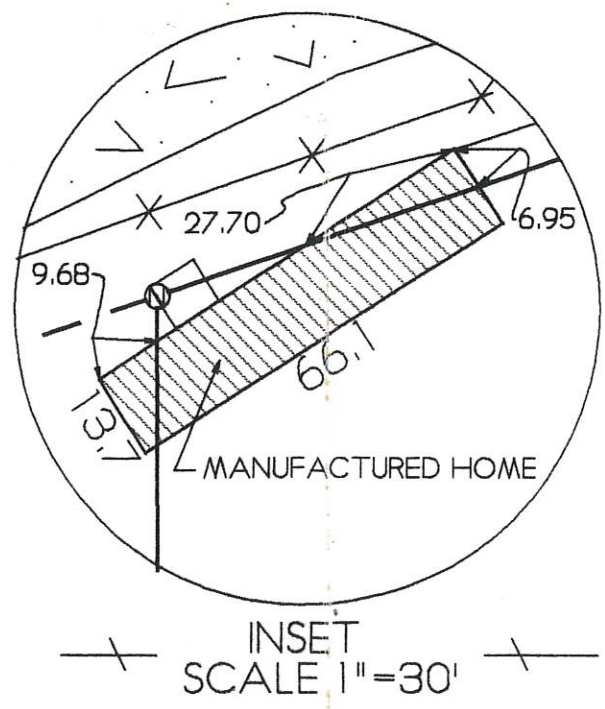
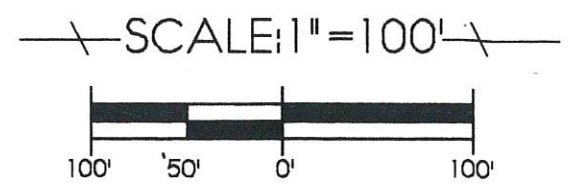


DESCRIPTION TRACT 1
 PART OF THE NORTHEAST QUARTER OF THE SOUTHEAST QUARTER OF SECTION 5, TOWNSHIP 14 NORTH, RANGE 3 EAST, CRAIGHEAD COUNTY, ARKANSAS BEING MORE PARTICULARLY DESCRIBED AS FOLLOWS;
 BEGIN AT THE SOUTHEAST CORNER OF THE NORTHEAST QUARTER OF THE SOUTHEAST QUARTER OF SECTION 5, TOWNSHIP 14 NORTH, RANGE 3 EAST, CRAIGHEAD COUNTY, ARKANSAS; THENCE NORTH 0°17'47" WEST ALONG THE EAST LINE OF THE NORTHEAST QUARTER OF THE SOUTHEAST QUARTER OF SECTION 5, AFORESAID, 557.60 FEET; THENCE SOUTH 55°24'36" WEST 184.22 FEET; THENCE NORTH 16°06'00" WEST 548.24 FEET TO THE POINT OF BEGINNING PROPER; THENCE CONTINUE NORTH 16°06'00" WEST 364.21 FEET TO THE NORTH LINE OF THE NORTHEAST QUARTER OF THE SOUTHEAST QUARTER OF SECTION 5, AFORESAID; THENCE NORTH 88°00'02" EAST ALONG SAID NORTH LINE, 336.31 FEET TO THE WEST RIGHT-OF-WAY LINE OF U.S. HWY. #63; THENCE ALONG SAID RIGHT-OF-WAY LINE AS FOLLOWS: SOUTH 0°48'20" EAST 111.92 FEET, SOUTHEASTERLY ALONG A 2.9083° CURVE TO THE LEFT WITH A RADIUS OF 1970.00 FEET, A DISTANCE OF 241.64 FEET; THENCE SOUTH 88°00'02" WEST 253.78 FEET TO THE POINT OF BEGINNING PROPER, CONTAINING 2.36 ACRES AND BEING SUBJECT TO A 60' FOOT EASEMENT ALONG THE NORTH SIDE OF THE TRACT AS SHOWN ON PLAT OF SURVEY HEREON.

DESCRIPTION TRACT 2
 PART OF THE NORTHEAST QUARTER OF THE SOUTHEAST QUARTER OF SECTION 5, TOWNSHIP 14 NORTH, RANGE 3 EAST, CRAIGHEAD COUNTY, ARKANSAS BEING MORE PARTICULARLY DESCRIBED AS FOLLOWS;
 BEGIN AT THE SOUTHEAST CORNER OF THE NORTHEAST QUARTER OF THE SOUTHEAST QUARTER OF SECTION 5, TOWNSHIP 14 NORTH, RANGE 3 EAST, CRAIGHEAD COUNTY, ARKANSAS; THENCE NORTH 0°17'47" WEST ALONG THE EAST LINE OF THE NORTHEAST QUARTER OF THE SOUTHEAST QUARTER OF SECTION 5, AFORESAID, 557.60 FEET; THENCE SOUTH 55°24'36" WEST 184.22 FEET; THENCE NORTH 16°06'00" WEST 212.00 FEET TO THE POINT OF BEGINNING PROPER; THENCE CONTINUE NORTH 16°06'00" WEST 336.24 FEET; THENCE NORTH 88°00'02" EAST TO THE WESTERLY RIGHT-OF-WAY LINE OF U.S. HWY. #63; THENCE SOUTHEASTERLY ALONG A 2.9083° CURVE TO THE LEFT WITH A RADIUS OF 1970.00 FEET, A DISTANCE OF 164.97 FEET; THENCE SOUTH 71°12'13" WEST 200.05 FEET; THENCE SOUTH 0°17'47" EAST 105.00 FEET TO THE POINT OF BEGINNING PROPER, CONTAINING 1.12 ACRES AND BEING SUBJECT TO A 30' FOOT INGRESS EGRESS EASEMENT AS SHOWN ON PLAT OF SURVEY HEREON.

NOTE: THERE ARE ENCROACHMENTS OF A WIRE FENCE, A MANUFACTURED HOME AND A GRAVEL DRIVE FROM ADJOINING PROPERTY ONTO THIS PROPERTY ALONG THE SOUTH SIDE OF TRACT 2.

- LEGEND:**
- ⊕ SET REBAR
 - ⊙ SET NAIL
 - FOUND PIPE
 - SET PIPE
 - * WIRE FENCE



TROY L. SHEETS SURVEYING
 "WE SURVEY THE EARTH"
 205 WARNER * P.O. BOX 1672
 JONESBORO, ARKANSAS 72403
 PH. 870/935-2630 FAX 870/935-1263

CLIENT AUDIE DAVIDSON	DRAWN BY PWL
DATE 10-22-97	JOB NO. 97171
SCALE 1" = 100'	
500-14N-03E-0-05-210-16-0596	

NOT VALID WITHOUT ORIGINAL SIGNATURE

S.E. COR. N.E. 1/4, S.E. 1/4,
 SEC. 5, T-14-N, R-3-E.