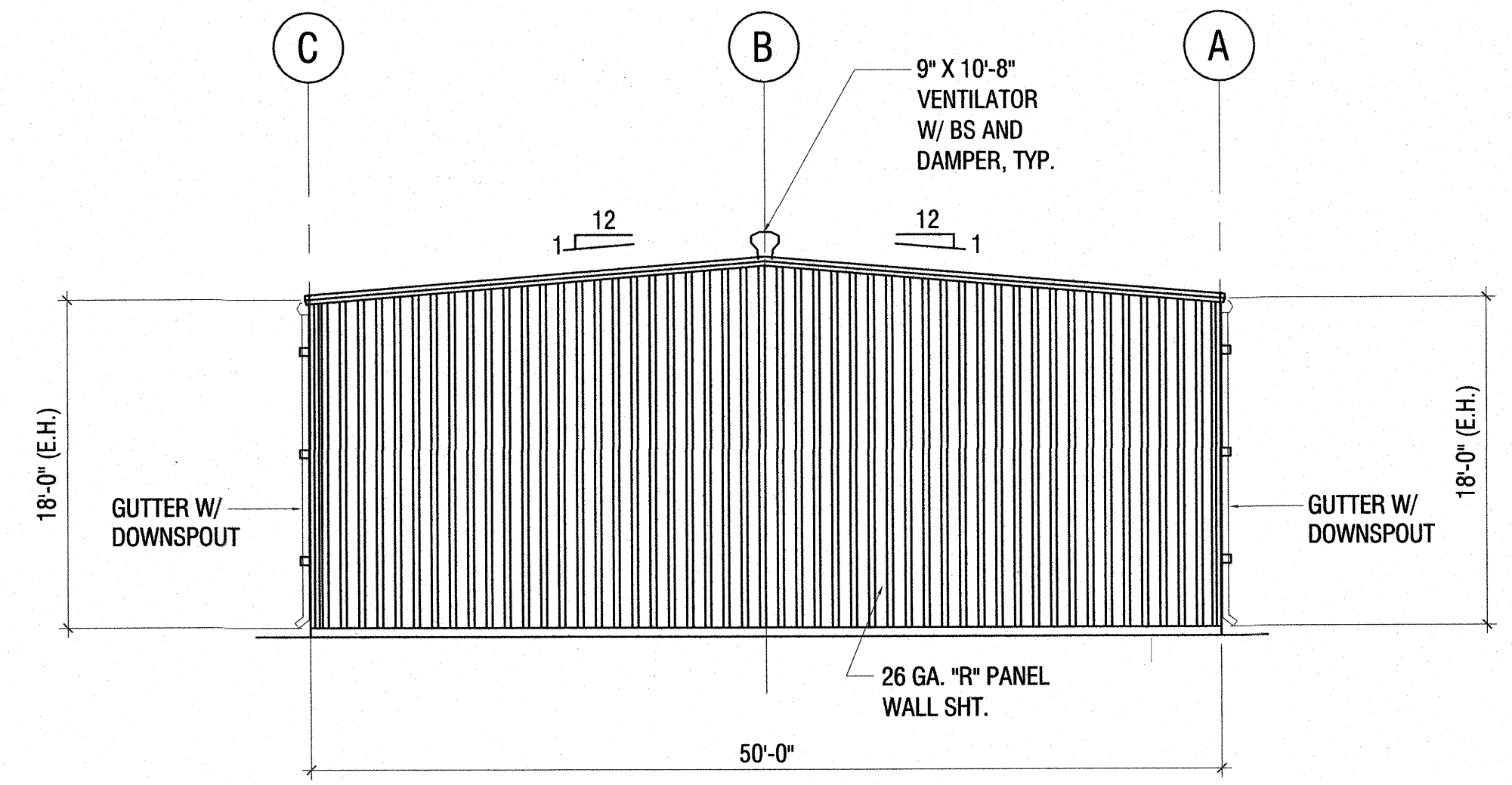
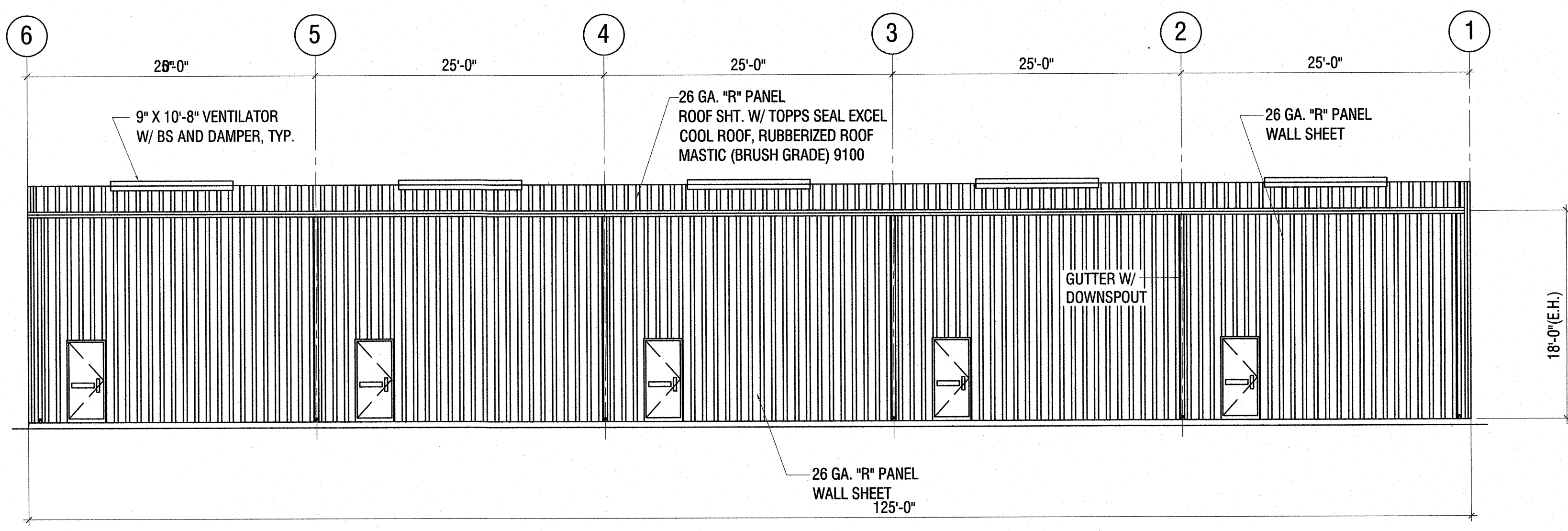


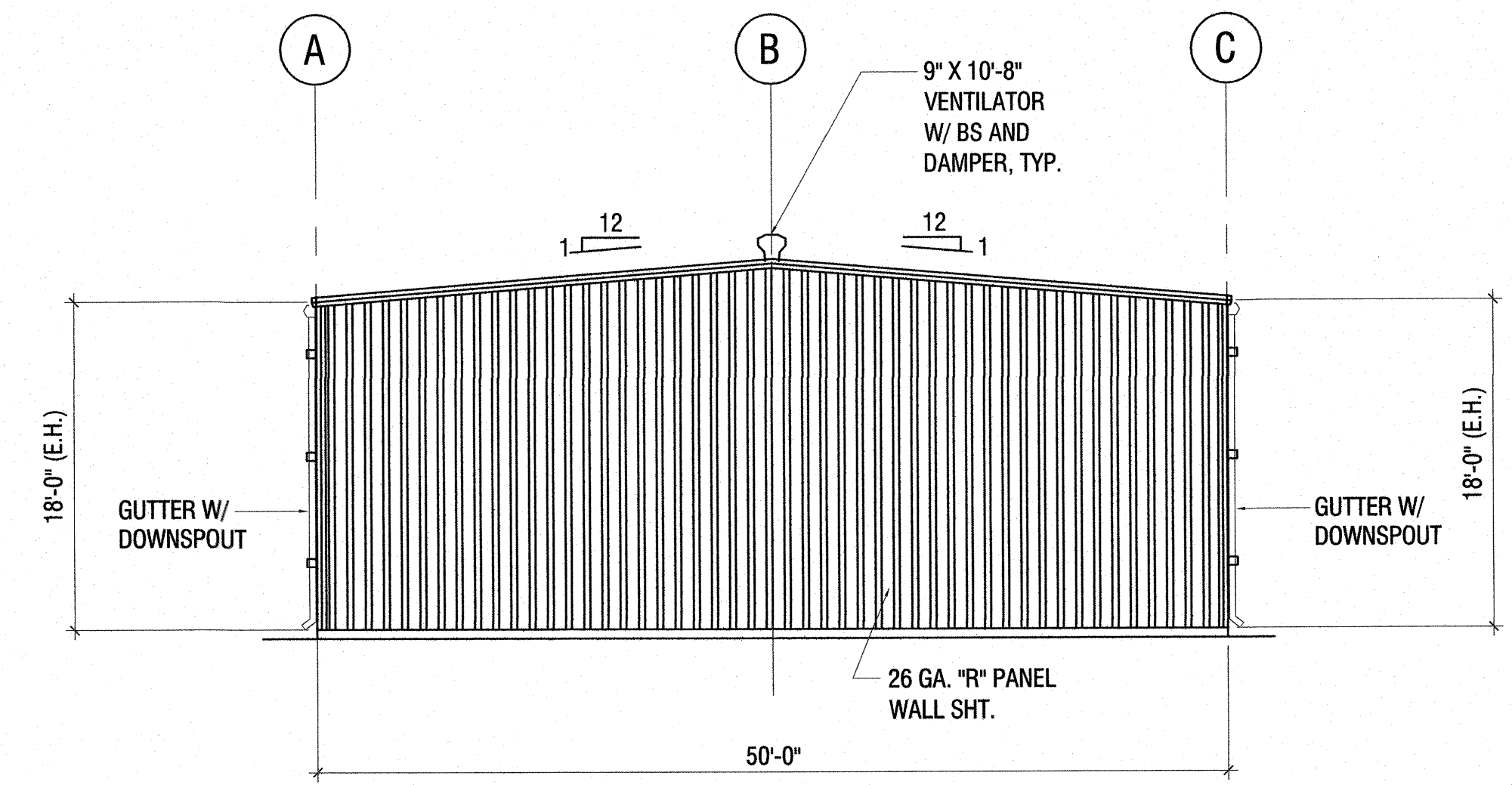
1 ELEVATION @ COL. LINE "C"  
A-2.1 SCALE: 1/8" = 1'-0"



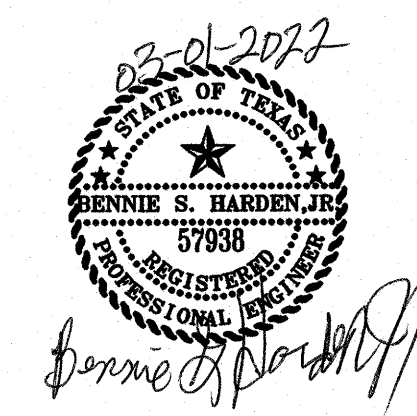
2 ELEVATION @ COL. LINE "6"  
A-2.1 SCALE: 1/8" = 1'-0"



3 ELEVATION @ COL. LINE "A"  
A-2.1 SCALE: 1/8" = 1'-0"



4 ELEVATION @ COL. LINE "1"  
A-2.1 SCALE: 1/8" = 1'-0"



**BM DESIGN LLC**  
DRAFTING & DESIGNING SERVICES  
P.O. BOX. 286, SOUTH HOUSTON, TX 77587  
TEL: 713-240-2153

PROJECT:  
**CARGILL BUSINESS PARK**  
OFFICE / WAREHOUSE  
1722 CARGILL DRIVE,  
WILLIS, TX 77378

REV.	NOTES	DATE
0	FOR CUSTOMER APPROVAL	6/12/21
1	FOR PERMIT ONLY	7/19/21

ENGINEER:  
**HILLTOP ENGINEERING PLLC**  
F-9802  
PROFESSIONAL ENGINEER  
7307 BASTOGNE, HOUSTON  
TX 77035  
TEL: 281-777-7938 FAX: 281-943-0649

CUSTOMER:  
**ROBERT LUNDE**

PROJECT NO:  
1152021  
DRAWN BY: MM  
SCALE: 1/8" = 1'-0"  
DATE: 7-12-21  
CHECKED BY:

TITLE  
**EXTERIOR ELEVATIONS**

SHEET  
**A-2.1**  
OF SHEETS