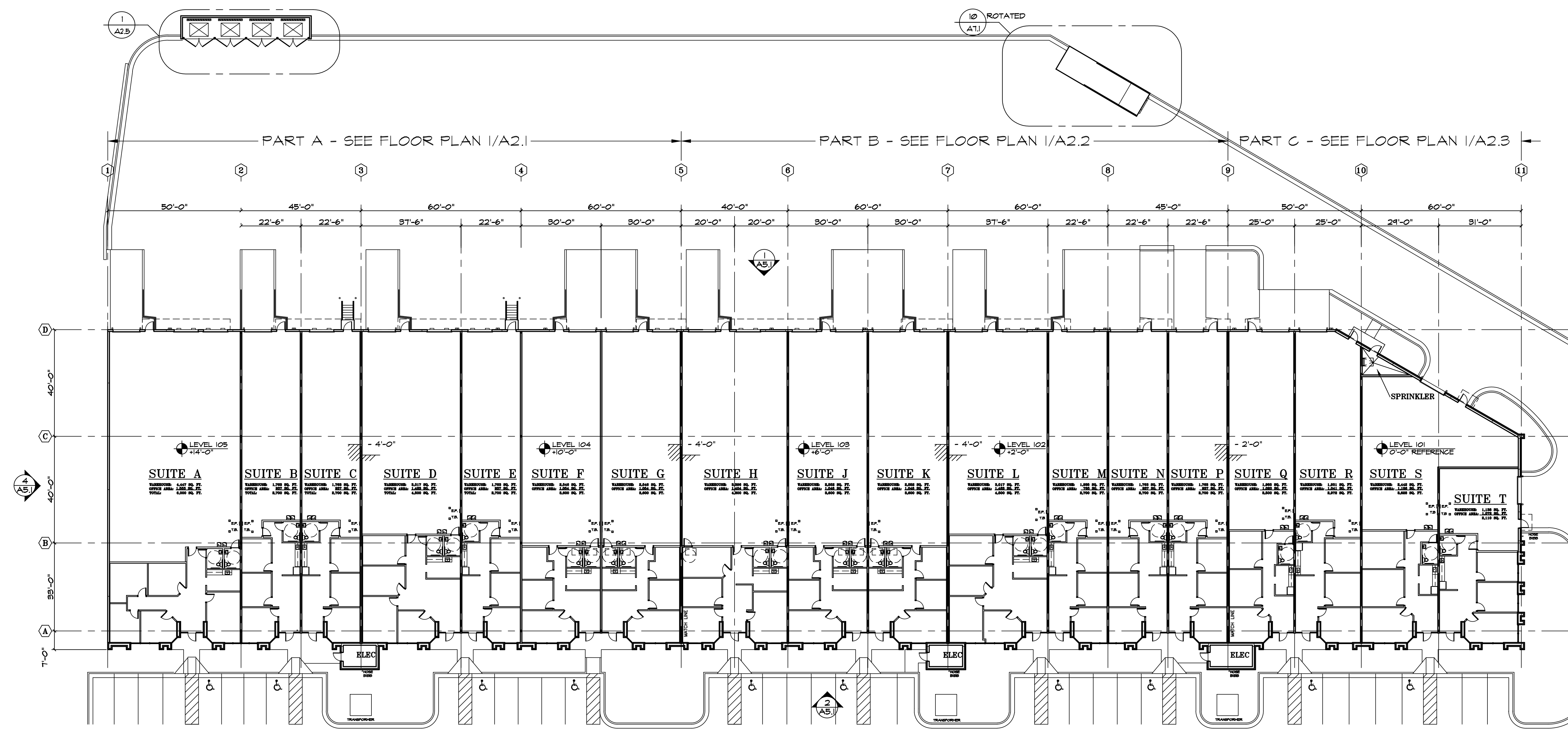


PART 'A' SHEET A2.1	PART 'B' SHEET A2.2	PART 'C' SHEET A2.3
------------------------	------------------------	------------------------

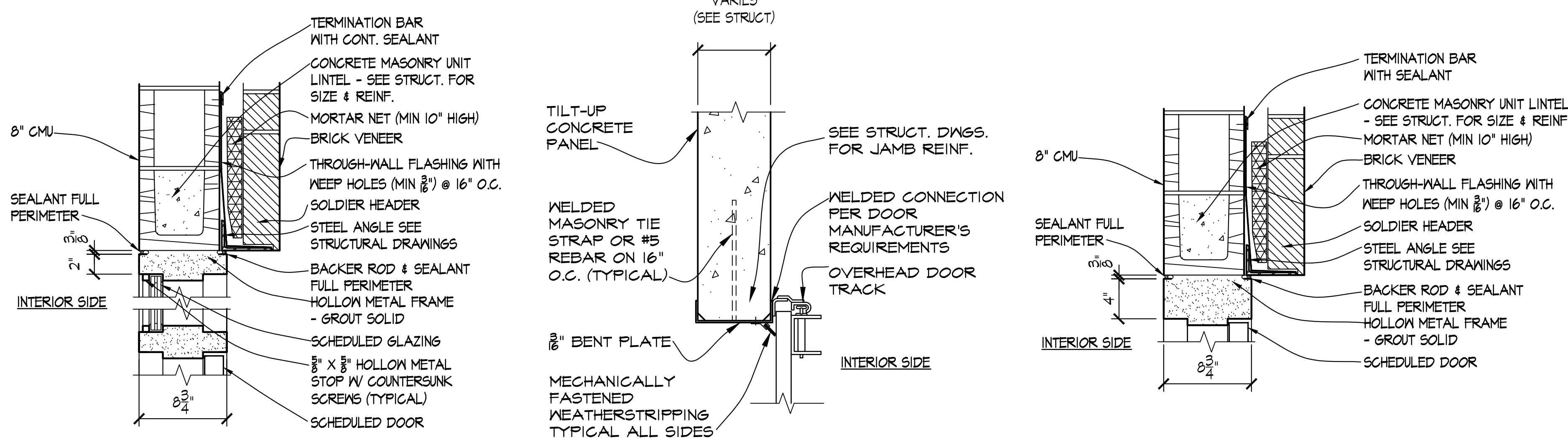
KEYPLAN  
N.T.S.

REF PLAN LEGEND

INDICATES FINISHED FLOOR ELEVATION  
GIVEN RELATIVE TO LEVEL 101. ACTUAL  
ELEVATION OF LEVEL 101 IS 1045.00



1 FLOOR PLAN - REFERENCE  
SCALE: 1"=20'-0"



2 HEAD DETAIL  
SCALE: 1-1/2"=1'-0"

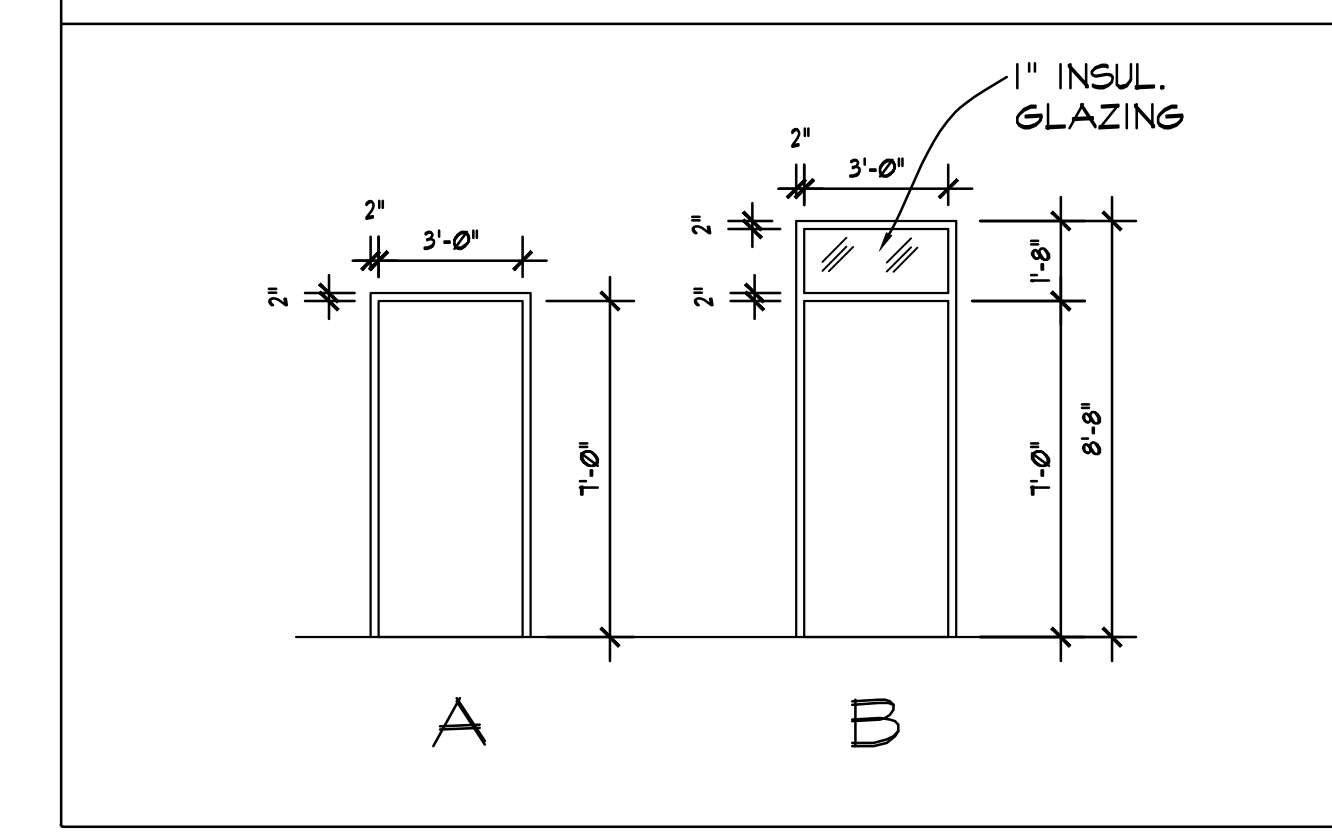
3 JAMB DETAIL  
SCALE: 1-1/2"=1'-0"

7 HEAD DETAIL  
SCALE: 1-1/2"=1'-0"

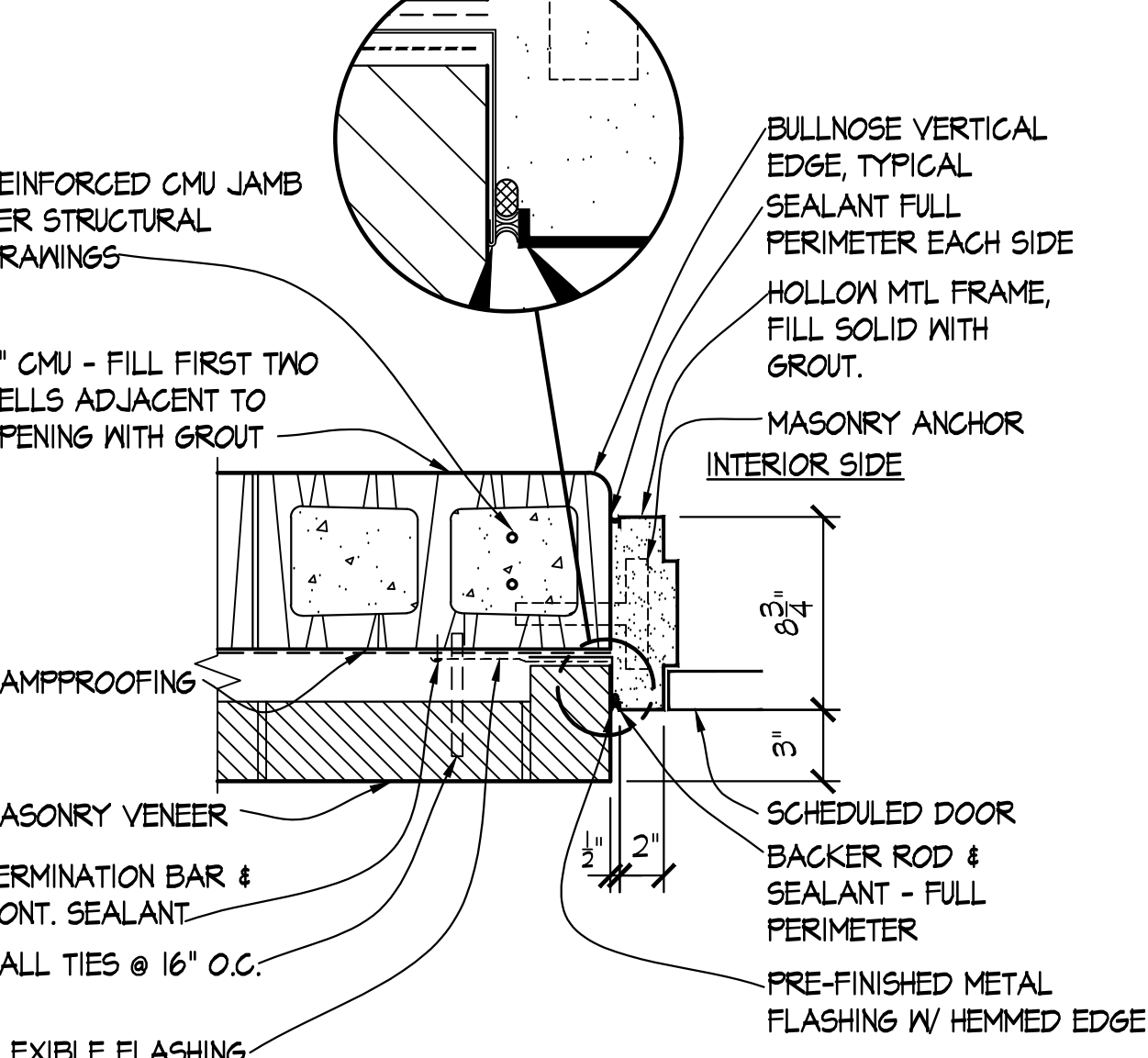
MARK	SIZE	MATERIAL	FRAME TYPE	FRAME MATERIAL	THRESHOLD MATERIAL	DETAILS			HDWRE	REMARKS
						HEAD MANUF. STD. W/ TRANSOM & SIDELIGHT	JAMB	SILL		
A	3'-0" X 7'-0"	ALUM.	NOTE B	ALUMINUM	ALUM	6/A1.1	6/A1.1	6/A1.1	1	W/ MAILSLIT IN DOOR & GLASS TRANSOM
B	3'-0" X 7'-0" X 1-3/4"	HM	B	HM	ALUM	2/A1.1	4/A1.1	6/A1.1	6	INSULATED EXT. DOOR W/ GLASS TRANSOM
C	3'-0" X 7'-0" X 1-3/4"	HM	A	HM	ALUM	5/A1.1	5/A1.1	6/A1.1	6	INSULATED EXTERIOR DOOR
D	9'-0" W X 10'-0" H	METAL	---	STEEL	NONE	SEE WALL SECTIONS	3/A1.1	---	---	FULL VERTICAL LIFT SECTIONAL SEE NOTE 1
E	10'-0" W X 12'-0" H	METAL	---	STEEL	NONE	SEE WALL SECTIONS	3/A1.1	---	---	FULL VERTICAL LIFT SECTIONAL SEE NOTE 1
F	3'-0" X 7'-0" X 1-3/4"	HM	A	HM	NONE	---	---	---	2	---
G	3'-0" X 6'-8" X 1-3/4"	HC FLUSH	A	HM	RUB	---	---	---	3	BIRCH
H	3'-0" X 6'-8" X 1-3/4"	HC FLUSH	A	HM	RUB	---	---	---	4	BIRCH
J	3'-0" X 6'-8" X 1-3/4"	HC FLUSH	A	HM	RUB	---	---	---	5	BIRCH
K	3'-0" X 6'-8"	---	---	---	RUB	---	---	---	---	CASED OPENING
L	3'-0" X 6'-8" X 1-3/4"	HC FLUSH	A	HM	RUB	---	---	---	2	BIRCH
M	3'-0" X 7'-0" X 1-3/4"	HM	B	HM	ALUM	7/A1.1	4/A1.1	6/A1.1	6	INSULATED EXT. DOOR
N	10'-0" W X 12'-0" H	METAL	---	STEEL	NONE	SEE WALL SECTIONS	8/A1.1	---	---	FULL VERTICAL LIFT SECTIONAL SEE NOTE 1

DOOR SCHEDULE NOTES:  
1. CURVE IN TRACK TO BE AT BAR JOIST LEVEL. WELDED INSTALLATION SEE SPECIFICATIONS. PROVIDE MECHANICALLY ATTACHED SWEEP-TYPE WEATHERSTRIPPING AT ALL SIDES OF DOOR. SEE SPECIFICATIONS.  
2. ALL EXTERIOR HOLLOW METAL DOORS TO BE INSULATED & WEATHERSTRIPPED.  
3. SEE FLOOR PLANS AND 8/A5.2 FOR STOREFRONT ELEVATIONS

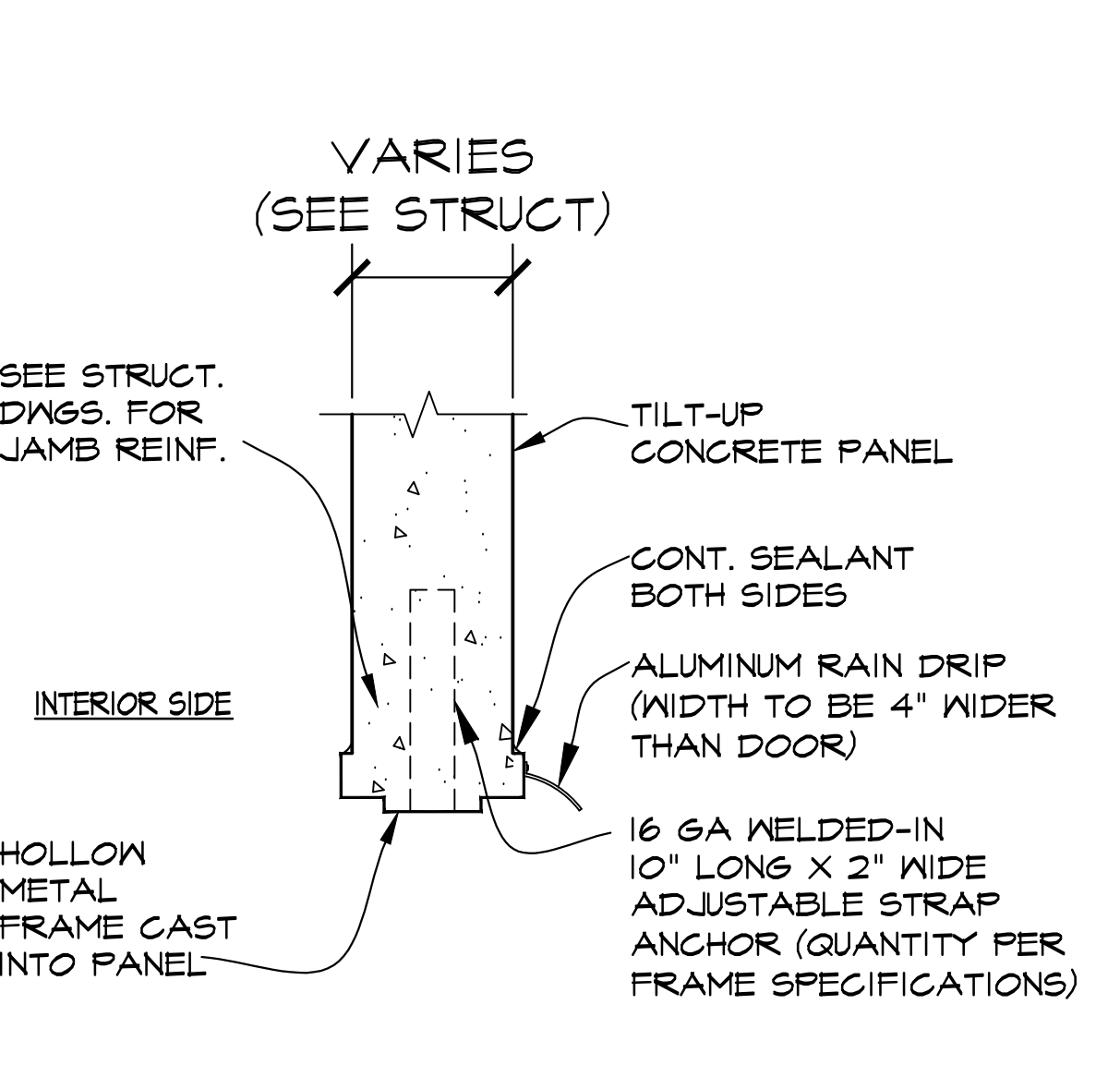
HOLLOW METAL FRAME TYPES



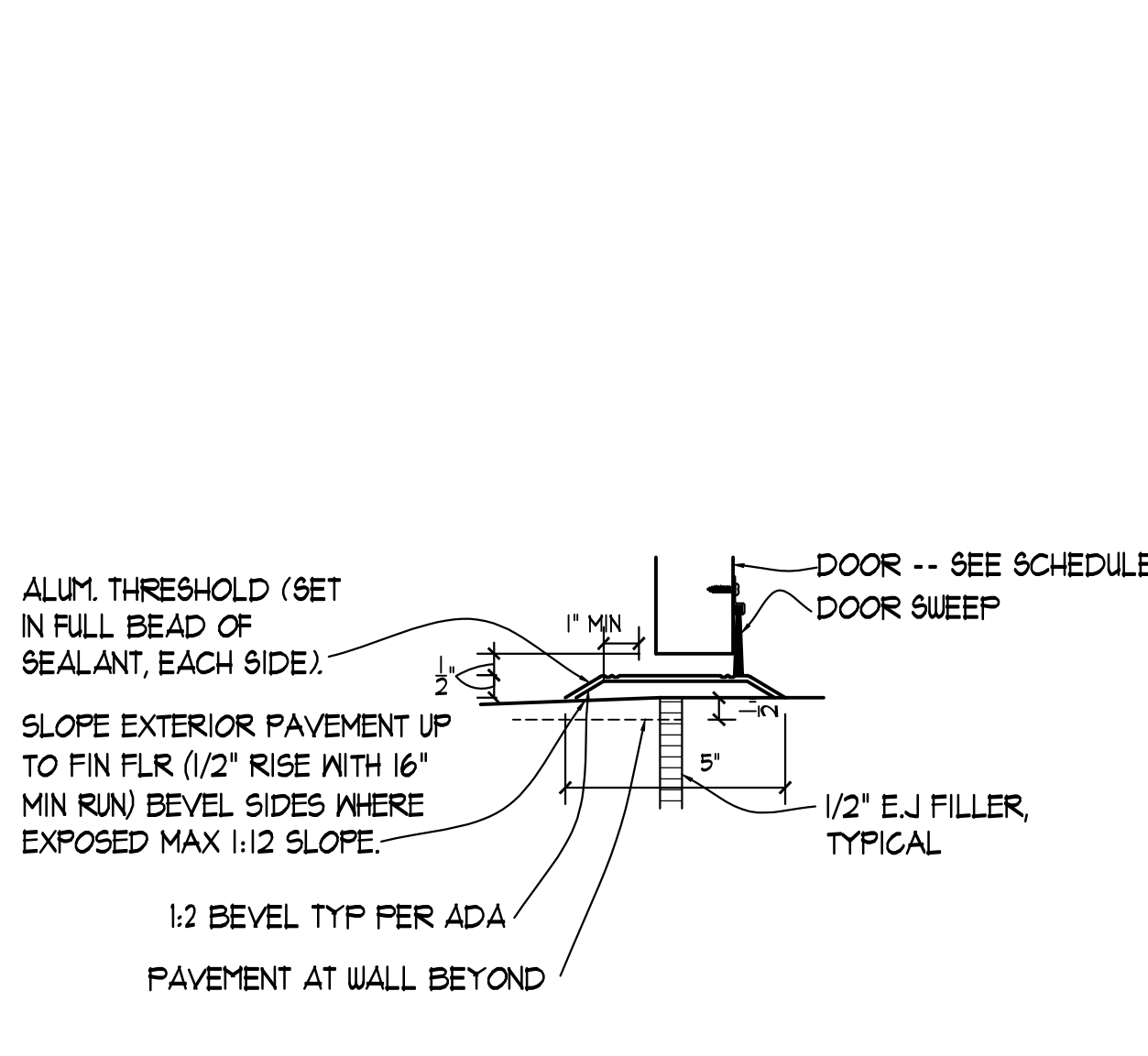
- HARDWARE SETS:
- PUSH/PULLS, LOCKSET, FLUSHBOLTS, CLOSERS, WEATHERSTRIPPING
  - PASSAGE SET
  - PRIVACY LOCKSET
  - PRIVACY SET, CLOSER, WEATHERSTRIPPING
  - PASSAGE SET, CLOSER, WEATHERSTRIPPING
  - LOCKSET, CLOSER, WEATHERSTRIPPING



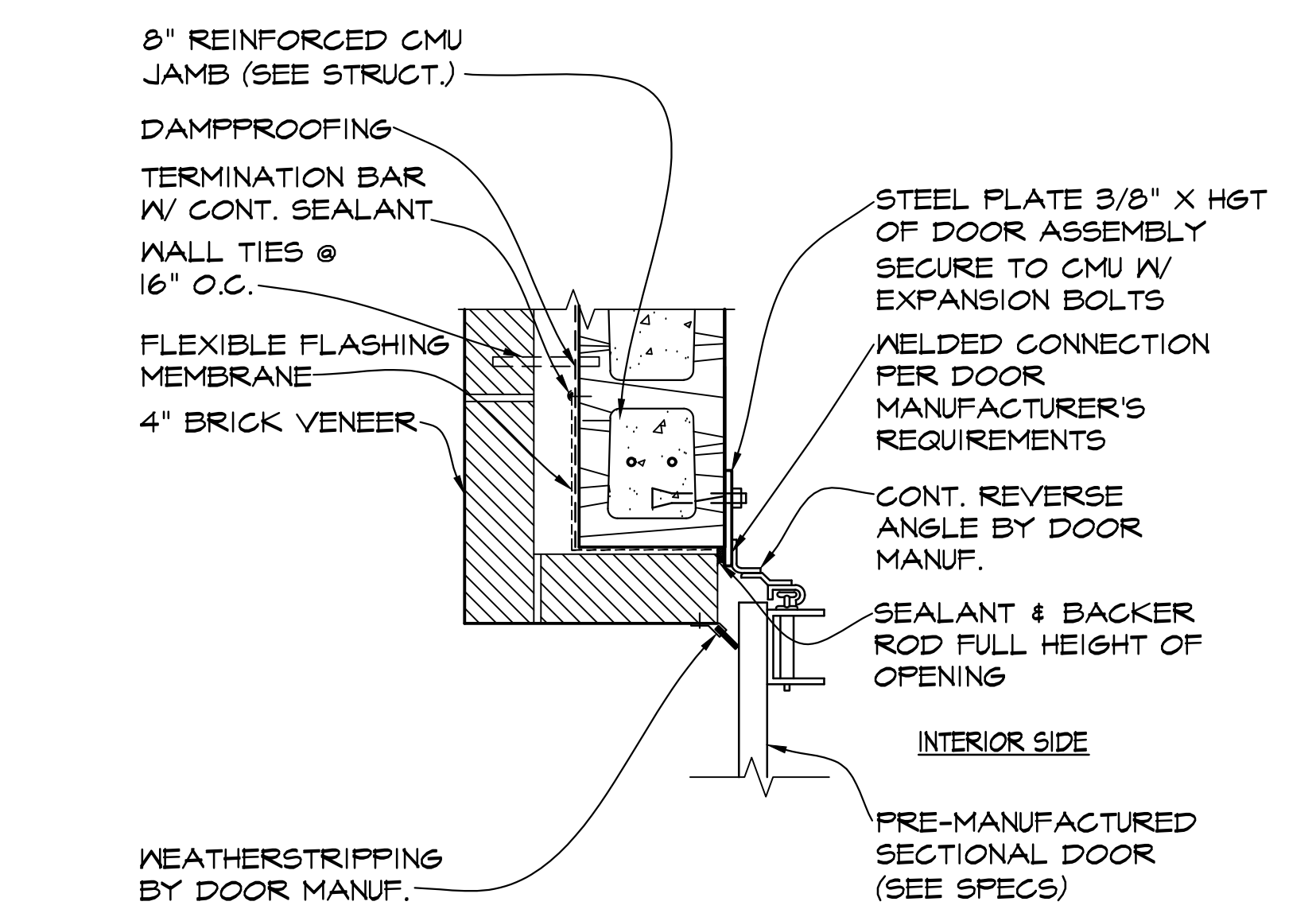
4 JAMB DETAIL  
SCALE: 1-1/2"=1'-0"



5 JAMB/HEAD DETAIL  
SCALE: 1-1/2"=1'-0"



6 SILL DETAIL  
SCALE: 3"=1'-0"



8 JAMB DETAIL  
SCALE: 1-1/2"=1'-0"

REVISIONS:

1	3-28-18	SUBMITTED FOR PERMIT
---	---------	----------------------



ALAN T. CROWLEY, AIA, INC.  
6275 TRIANGLE PARKWAY  
SUITE 200  
NORCROSS, GEORGIA 30092  
(770) 840-4504

COMM. NO.: 17007  
DRAWN BY:

FLOOR PLAN - REFERENCE

REVIEW ONLY  
 PRICING ONLY  
 CONSTRUCTION