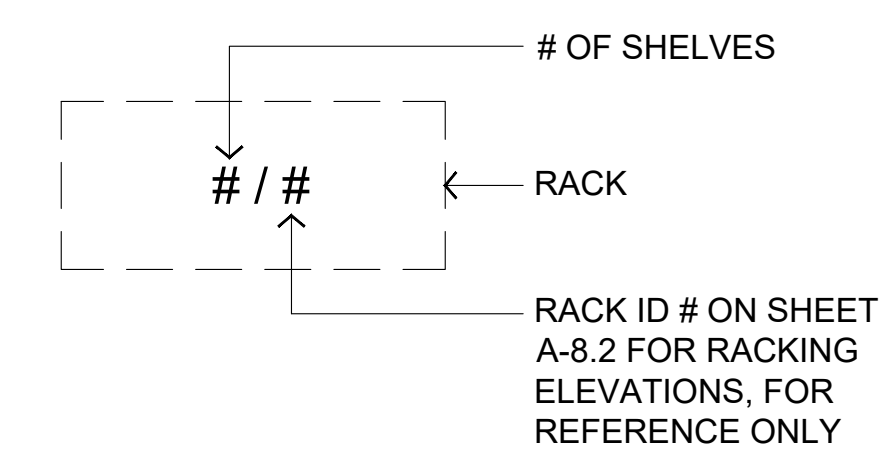
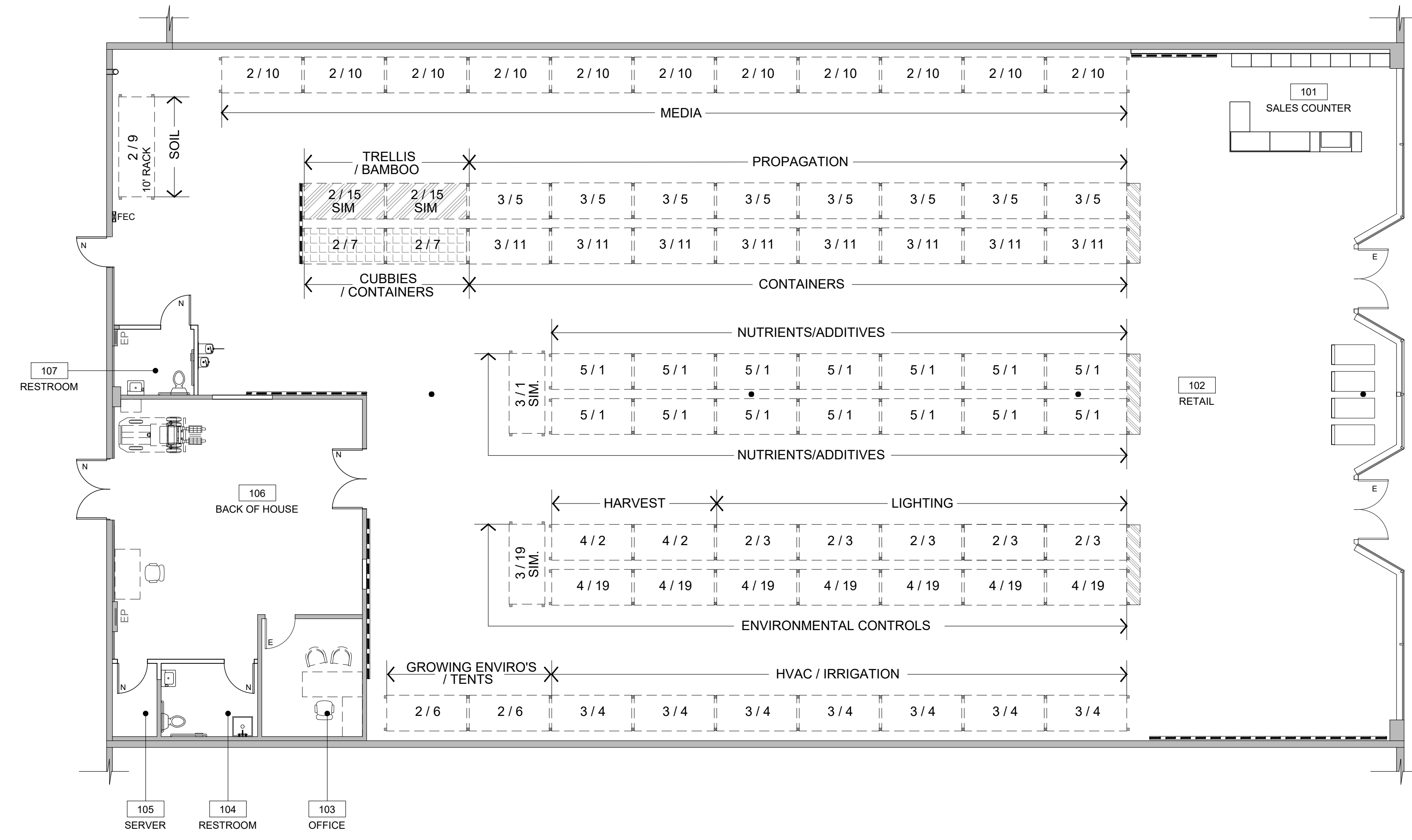
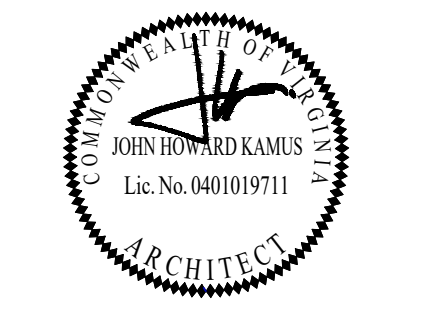
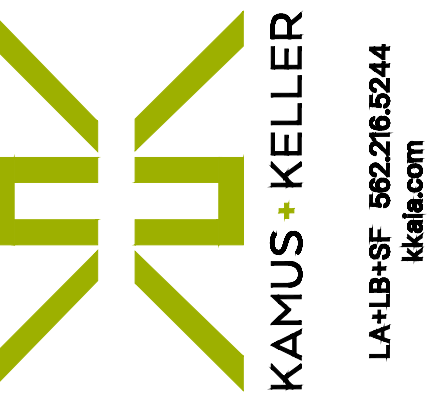


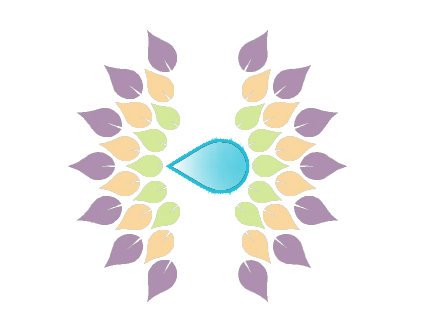
MERCHANDISING KEYNOTES

1. ADJUST SHELF HEIGHTS AS REQUIRED WHERE CONFLICTS WITH ELEMENTS ABOVE (HVAC, LIGHTING, STRUCTURE, ETC.)



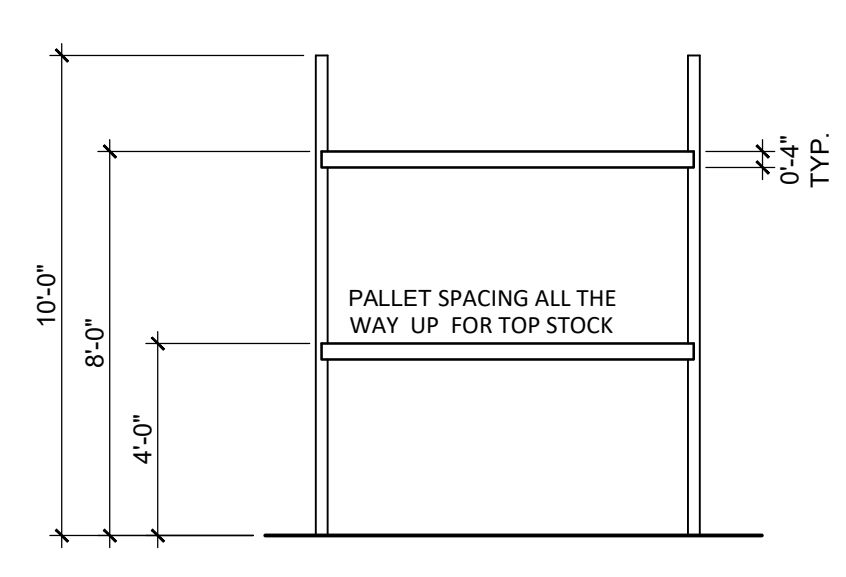
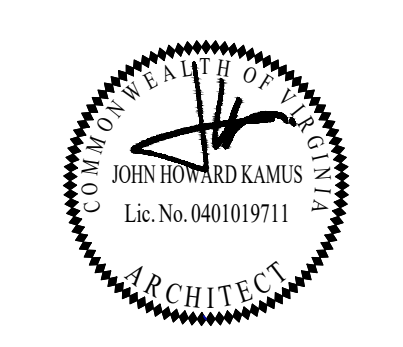
1 PRODUCT MERCHANDISING PLAN
Scale: 1/8" = 1'-0"

GROW GENERATION
5720 HOPKINS ROAD
RICHMOND VA. 23234
[PROJECT NO: 22.0024]

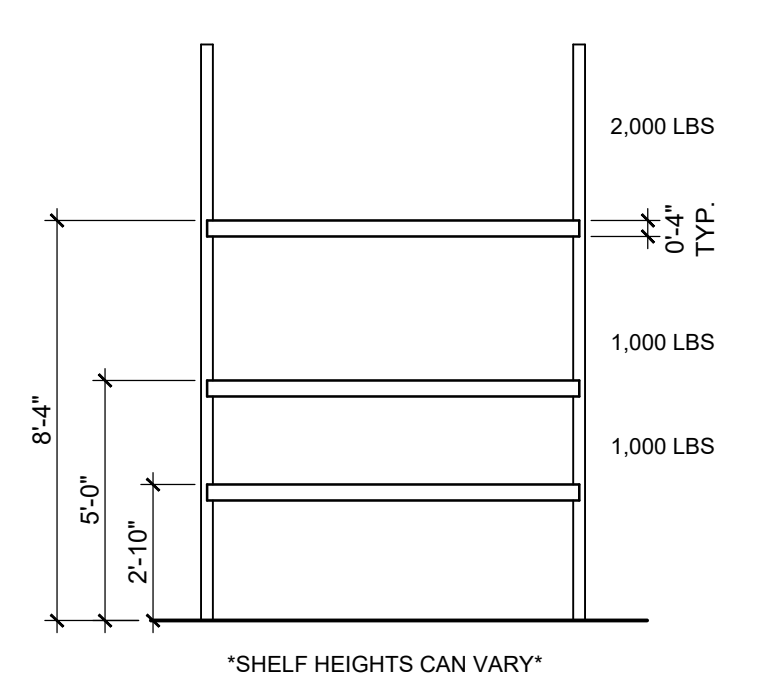


| FOR PERMIT SUBMITTAL | AS | DATE | BY |
|------------------------|-------|----------|-------|
| PLAN CHECK CORRECTIONS | MF | 05.05.22 | MF |
| CLIENT REVISIONS | MF/AB | 08.27.22 | MF/AB |

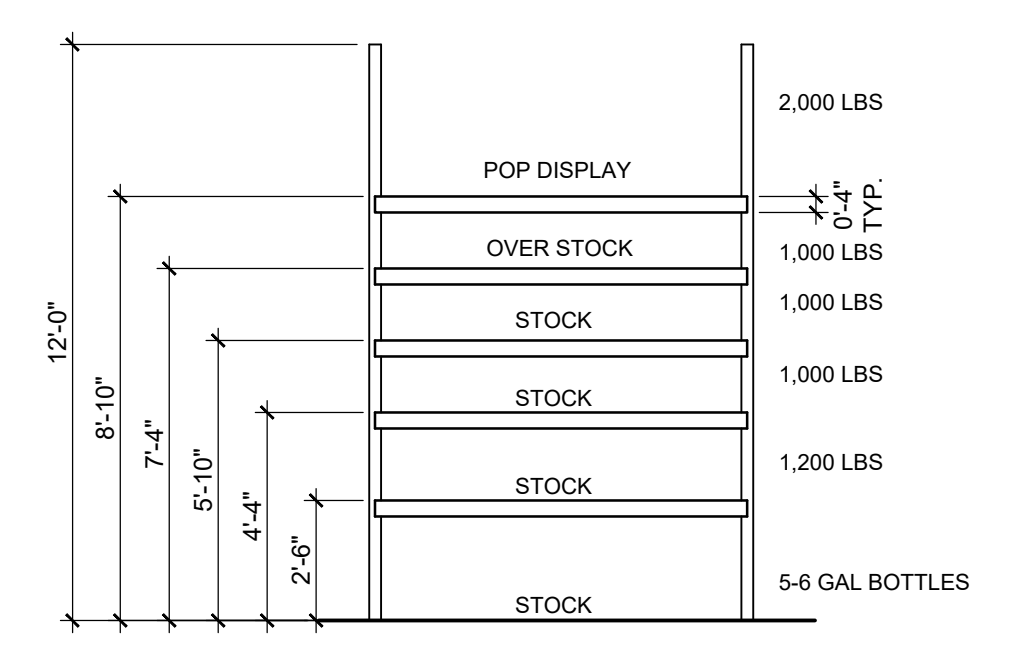
SHEET TITLE
PRODUCT MERCHANDISING PLAN (FOR REFERENCE)
SHEET NO. **A-8.1**



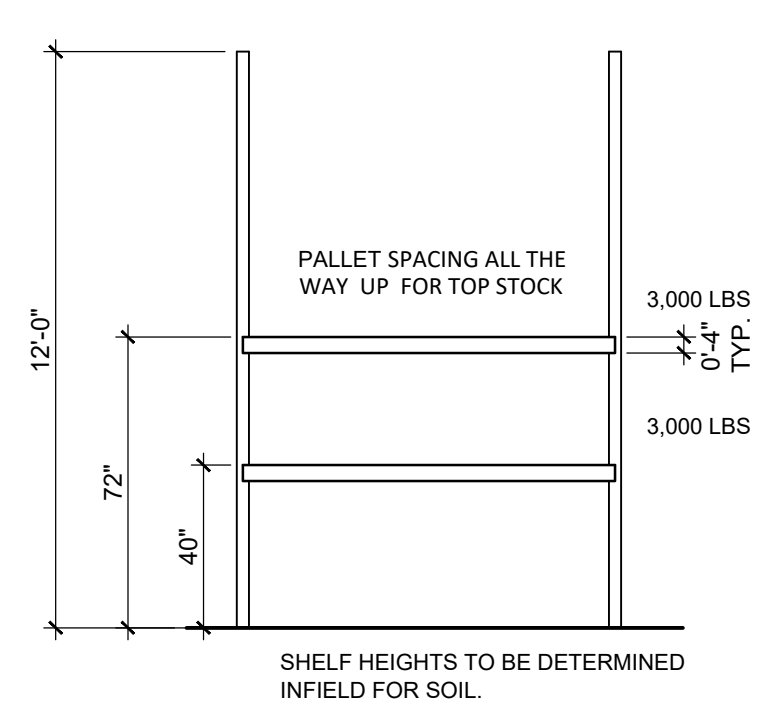
9 SOIL
Scale: 1/4" = 1'-0"



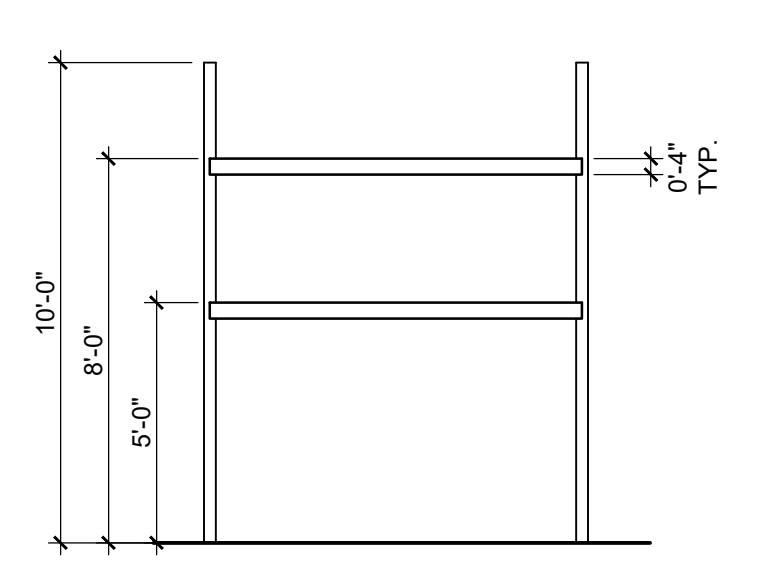
5 PROPAGATION
Scale: 1/4" = 1'-0"



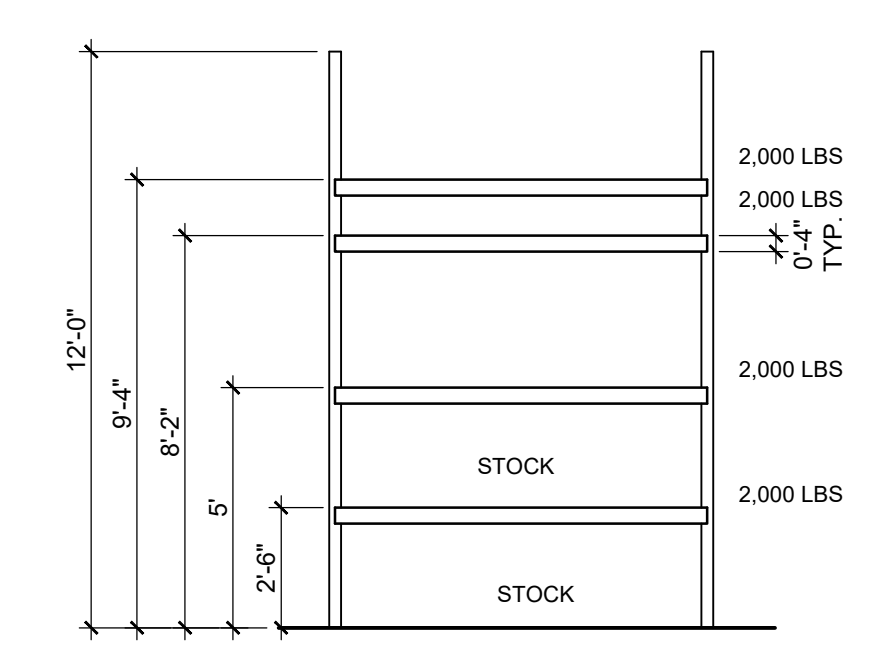
1 NUTRIENTS / ADDITIVES
Scale: 1/4" = 1'-0"



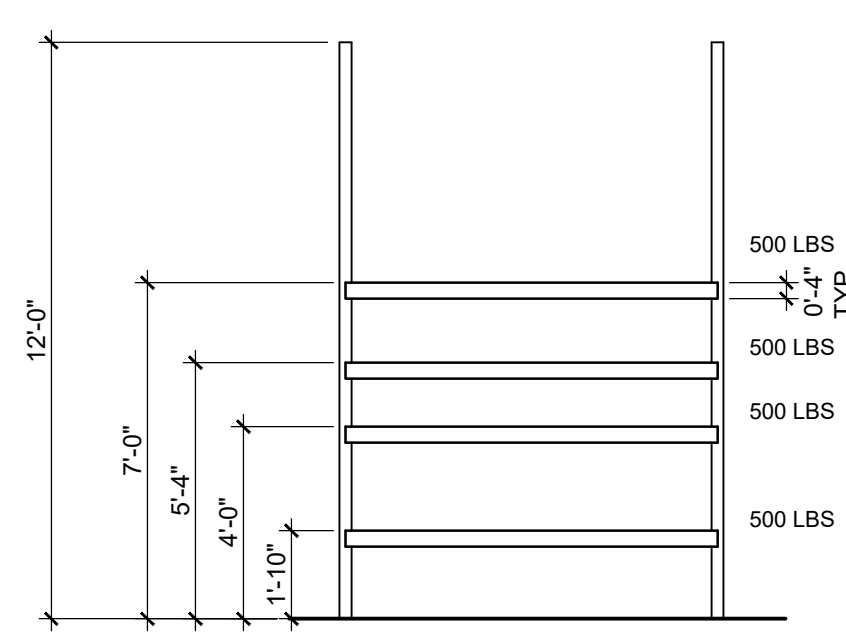
10 MEDIA
Scale: 1/4" = 1'-0"



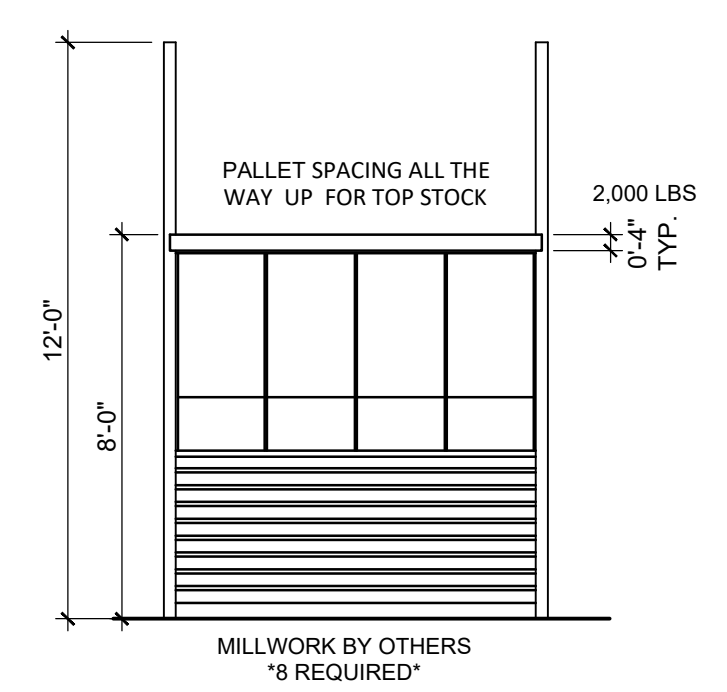
6 GROWING ENVIRONMENTS / TENTS
Scale: 1/4" = 1'-0"



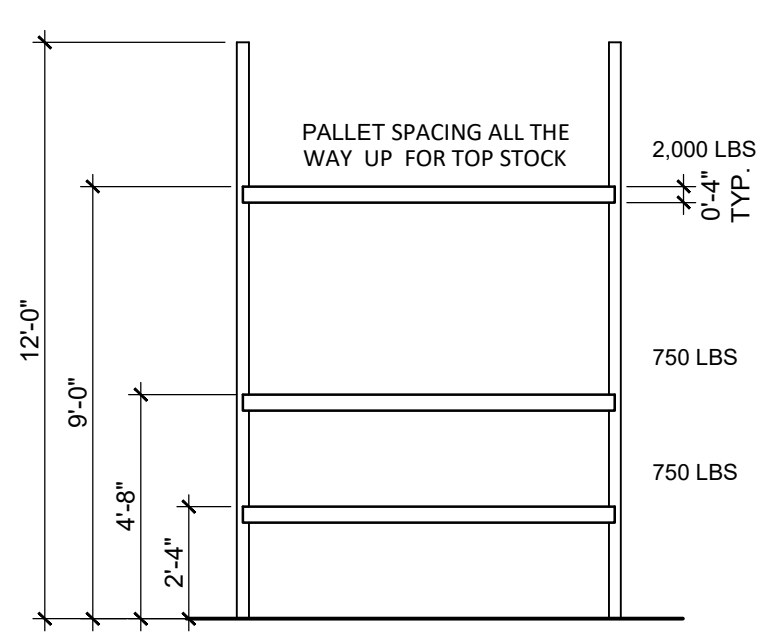
2 HARVESTING
Scale: 1/4" = 1'-0"



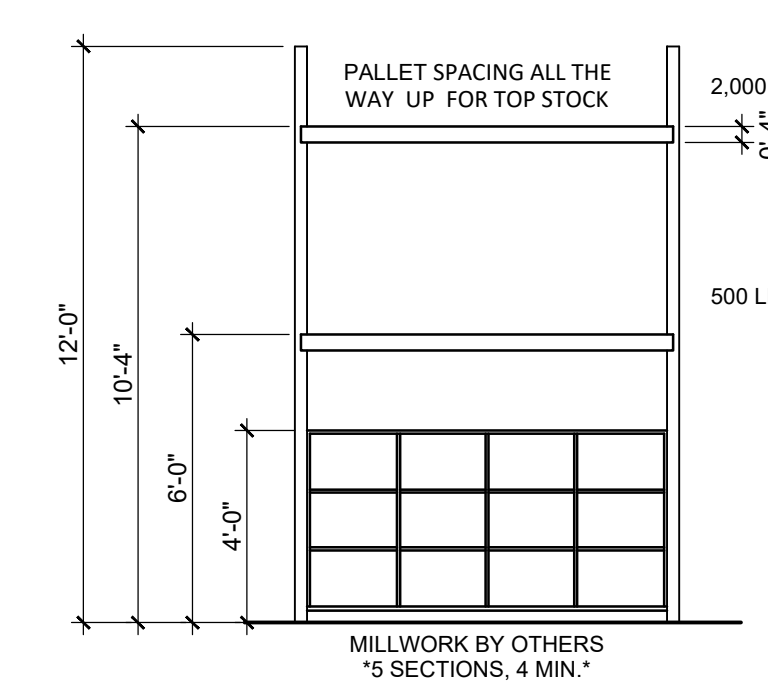
19 ENVIRONMENTAL CONTROLS
Scale: 1/4" = 1'-0"



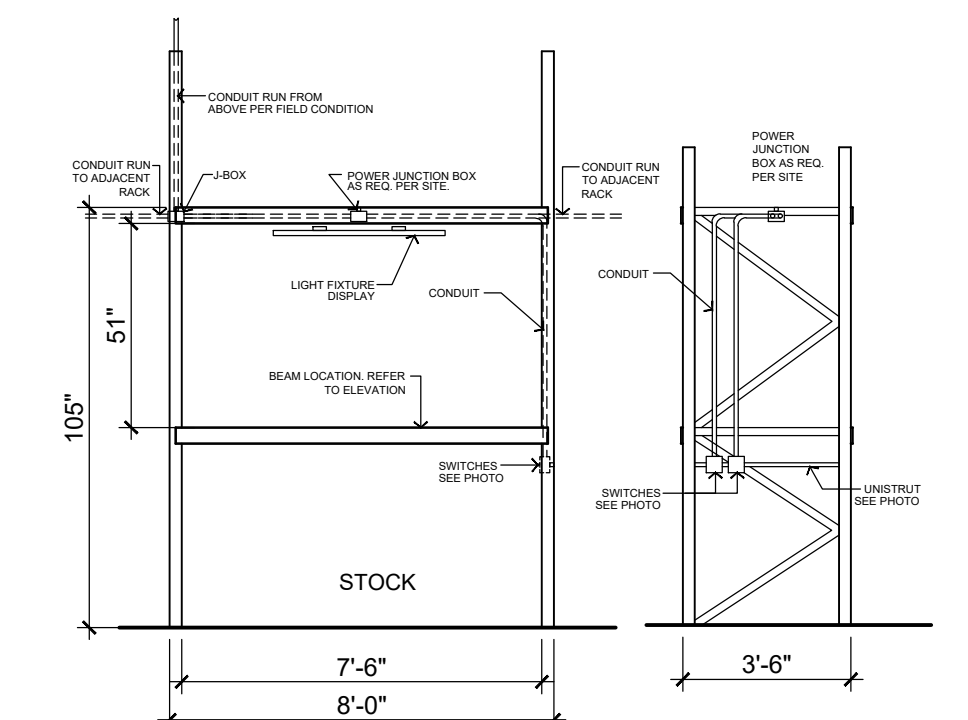
15 TRELLIS / BAMBOO
Scale: 1/4" = 1'-0"



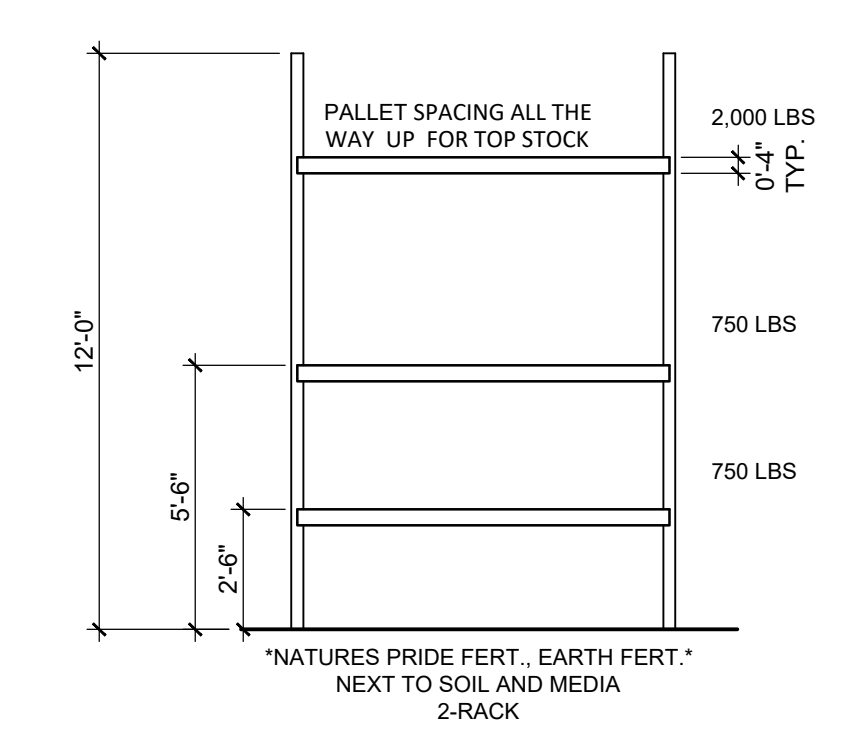
11 CONTAINERS
Scale: 1/4" = 1'-0"



7 CUBBIES / CONTAINERS
Scale: 1/4" = 1'-0"

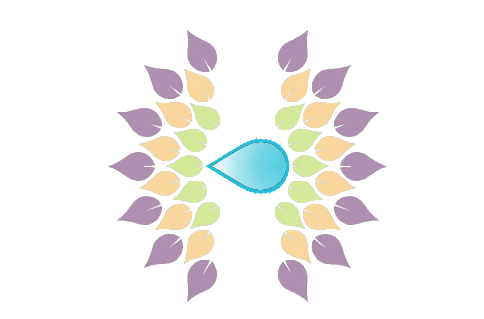


3 LIGHTING
Scale: 1/4" = 1'-0"



4 HVAC/IRRIGATION
Scale: 1/4" = 1'-0"

GROW GENERATION
5720 HOPKINS ROAD
RICHMOND VA. 23234
[PROJECT NO.: 22.0024]



| FOR PERMIT SUBMITTAL | AS | DATE | BY |
|------------------------|-------|----------|-------|
| PLAN CHECK CORRECTIONS | MF | 05.05.22 | MF |
| CLIENT REVISIONS | MF/AB | 08.27.22 | MF/AB |

SHEET TITLE
PRODUCT MERCHANDISING PLAN (FOR REFERENCE)
SHEET NO.
A-8.2