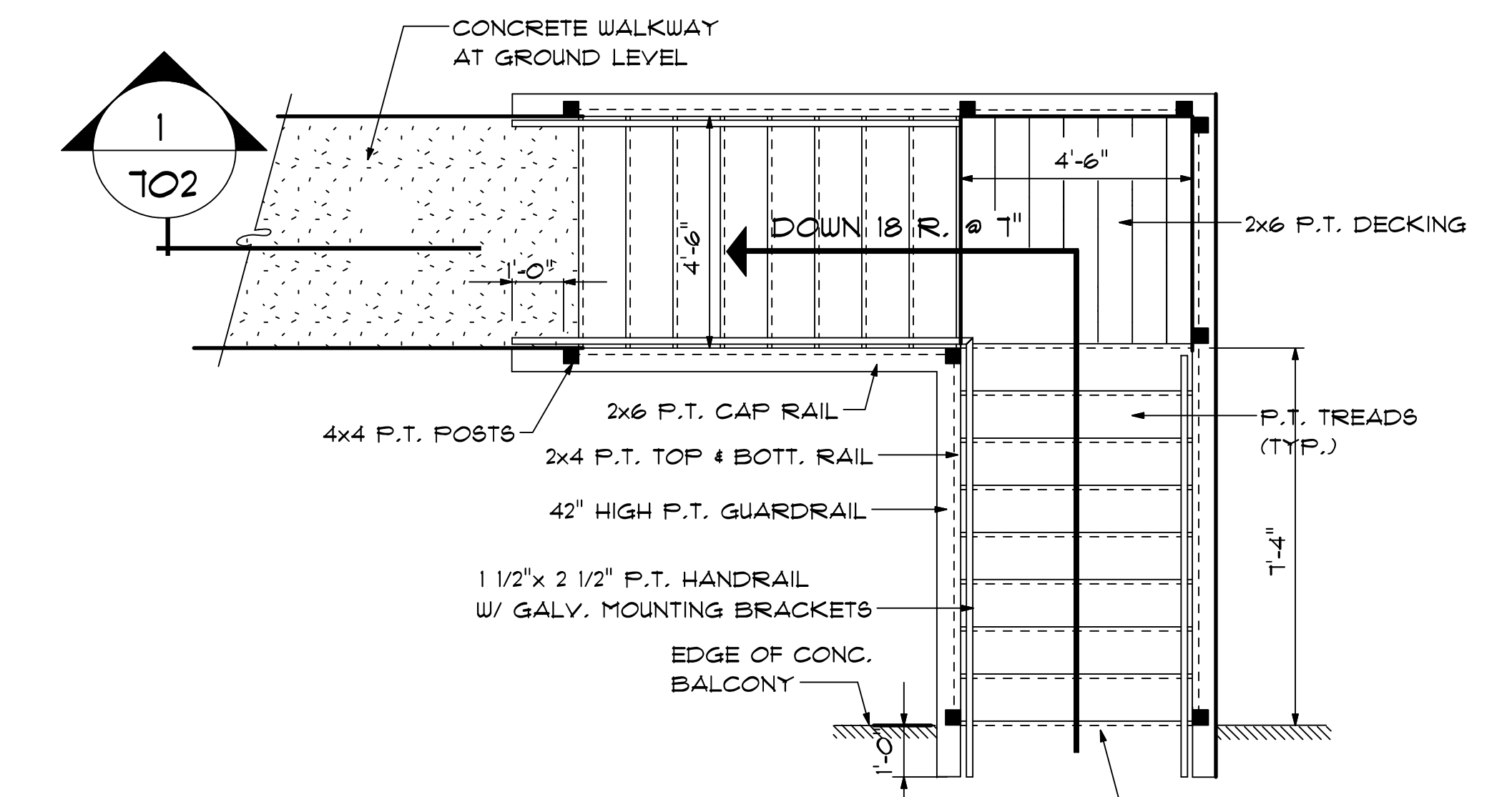
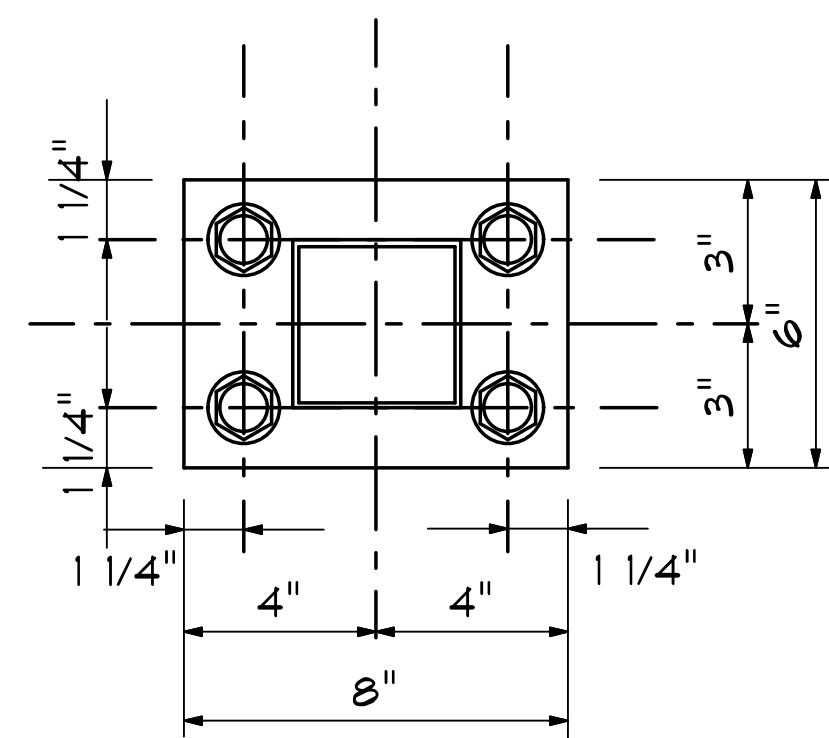


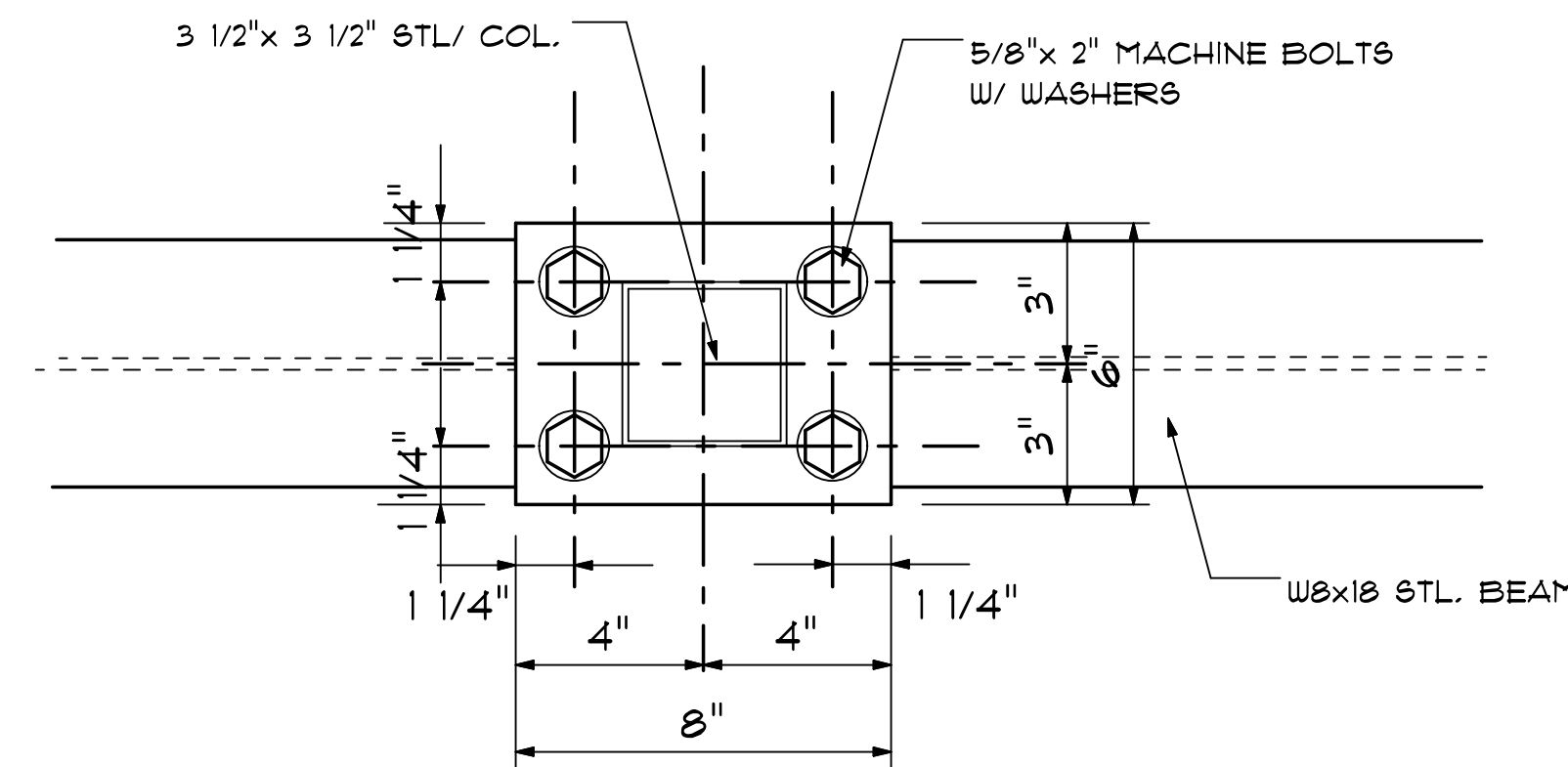
**SECTION 1**  
3/8" = 1'-0"



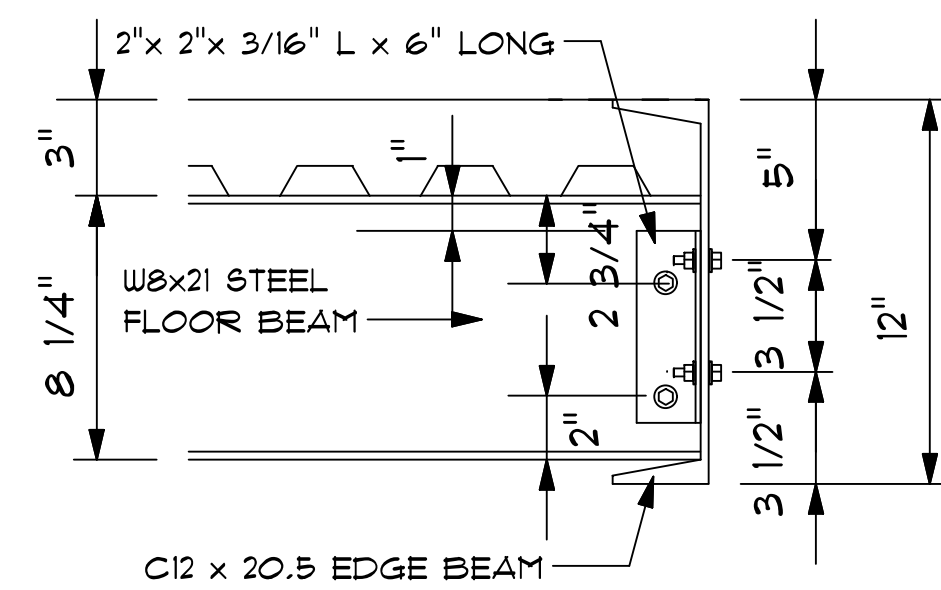
**P.T. STAIRWAY PLAN**  
3/8" = 1'-0"



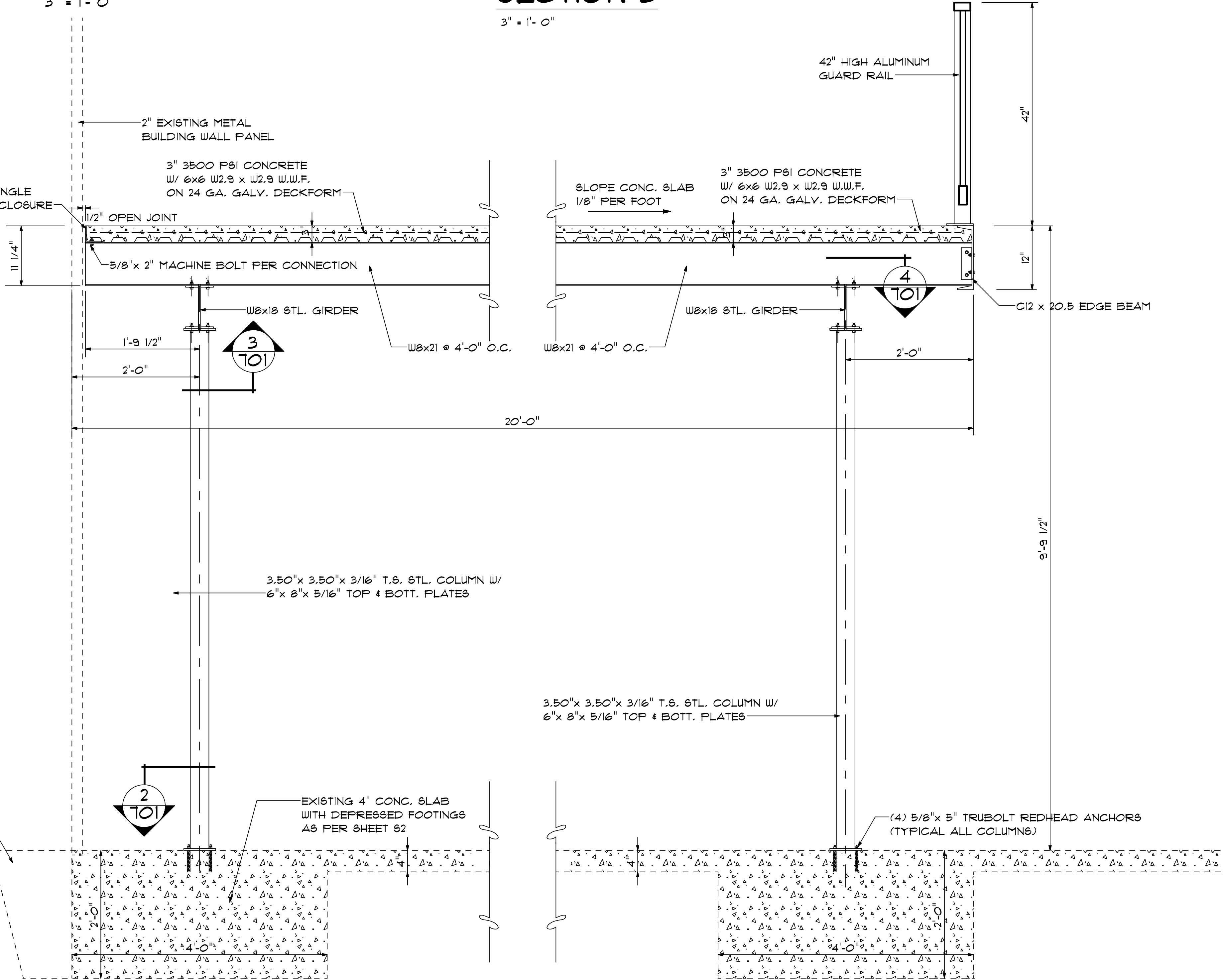
**SECTION 2**  
3" = 1'-0"



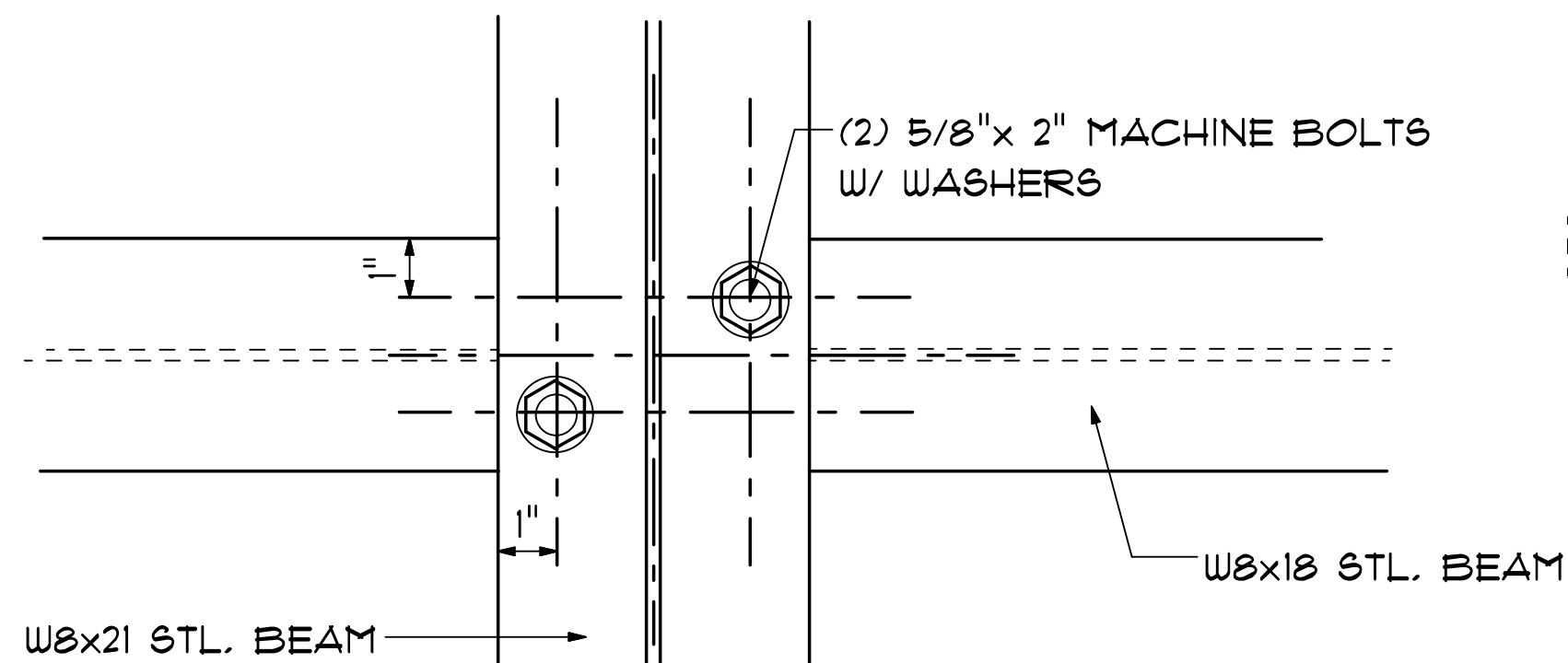
**SECTION 3**  
3" = 1'-0"



**SECTION 5**  
1" = 1'-0"



**SECTION "B"**  
1" = 1'-0"



**SECTION 4**  
3" = 1'-0"

**GEORGE E. WIEBER, ARCHITECT**  
562 LAKE CAROLINE DRIVE,  
RUTHER GLEN, VIRGINIA 22546  
(804) 512-1440

---

**FUTURE DINING BALCONY PLANS FOR:**  
**LAKE ANNA BEACH RESORT, LLC**  
349 PLEASANT LANDING ROAD  
BUMPASS, VIRGINIA 23024

---

SCALE: AS NOTED	DRAWN BY: RTU	DATE: 3/2/2021
REVISIONS		DATE:

---

PROJECT # 20215  
**A702**  
DWG NO.