

ISSUED / REVIEW	DATE
Conceptual / Planning	
Schematic Design	
Design Development	
Construction Documents	06-30-2022
for Permit	
for Bid	
for Construction	

PRINTED
1
2
3
4
5
6
7
8

REVISIONS
1
2
3
4
5
6

**LANDLORD WORK**  
 11492 BRUCE B. DOWNS  
 TAMPA, FL 33612

Joseph V. Belluccia, AIA

FL REG AR92396

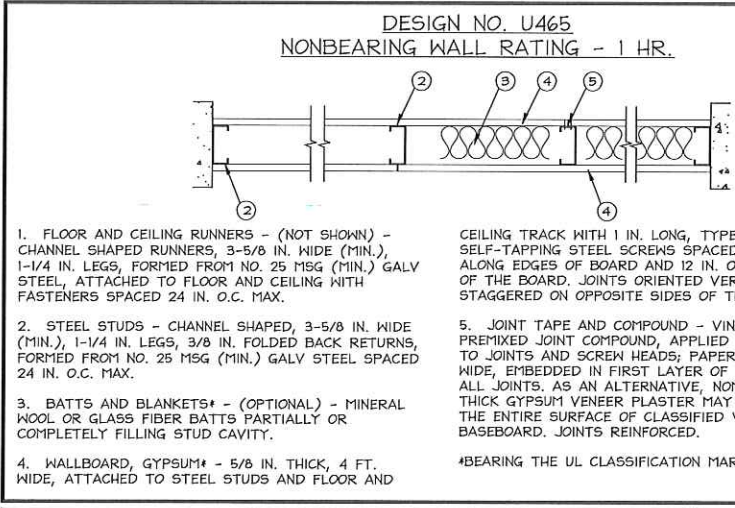
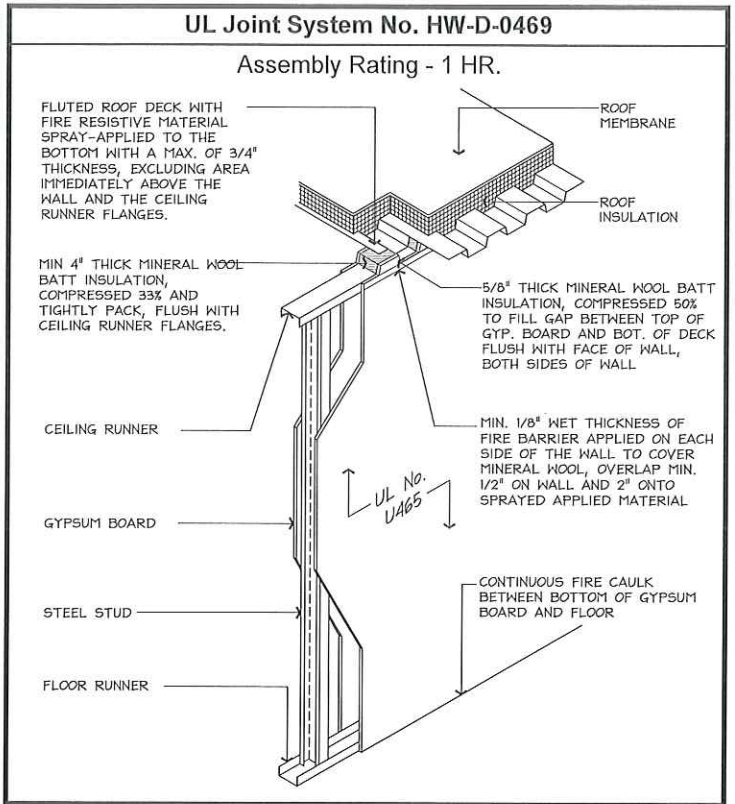
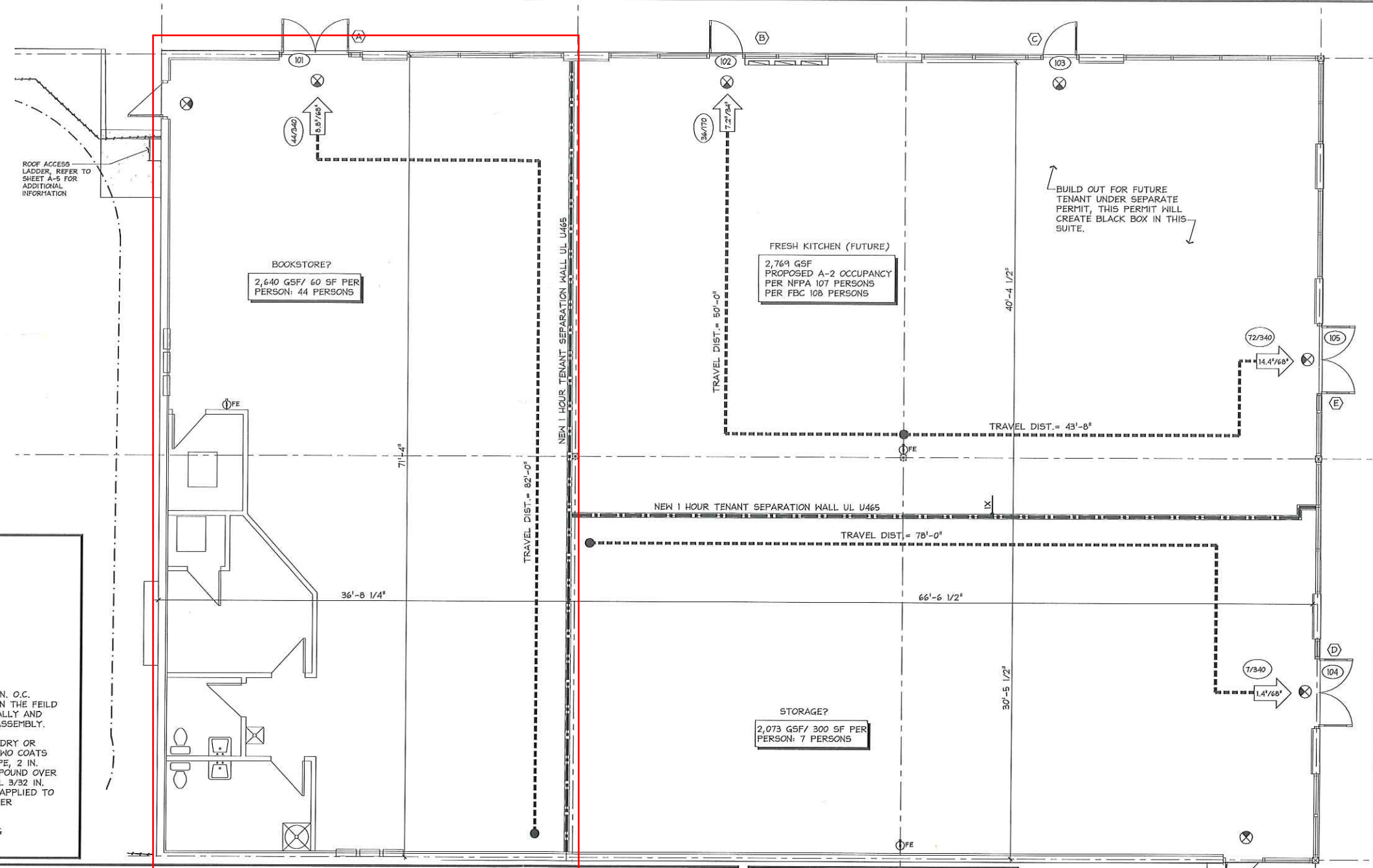
I HEREBY CERTIFY, TO THE BEST OF MY KNOWLEDGE, THAT THE DRAWINGS AND SPECIFICATIONS COMPLY WITH THE APPLICABLE MINIMUM BUILDING CODES.

JOB NO : 21110.20

DRAWN BY : BMC

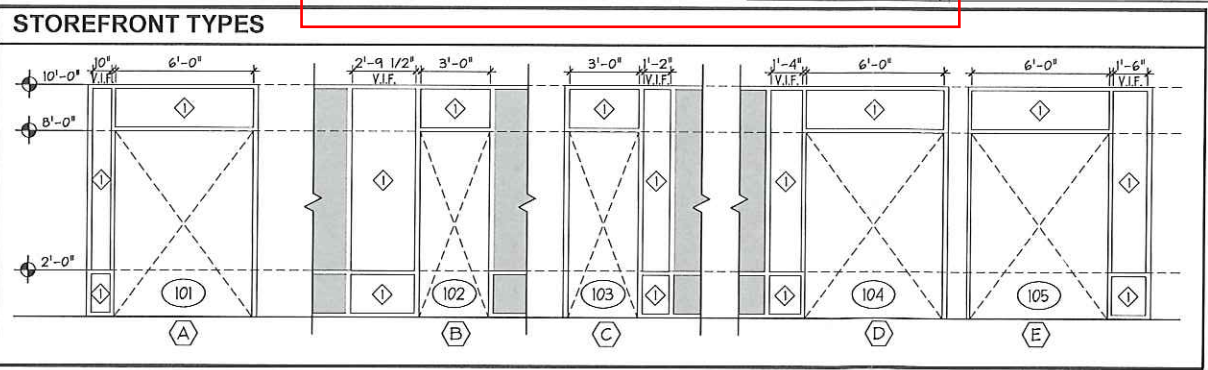
ISSUE DATE : 06-30-2022

SHEET NAME : LIFE SAFETY



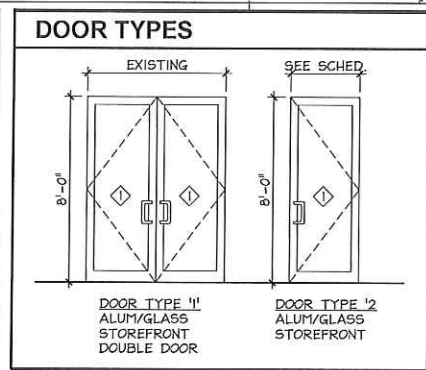
- LIFE SAFETY GENERAL NOTES**
- FINAL LOCATION AND QUANTITY OF EMERGENCY LIGHTS AND/OR EXIST SIGNS SHALL BE AT THE DISCRETION OF THE AHJ DURING CONSTRUCTION, AND MAY RESULT IN ADDITIONAL FIXTURES. GC SHALL PROVIDE ANY ADDITIONAL FIXTURES AND PREPARED ANY MODIFICATIONS AS REQUIRED BY THE AHJ.
  - PROVIDE OCCUPANT LOAD POSTING PER SECTION 12.7.9.3, NFPA 101, 2015 EDITION
  - PROVIDE EGRESS DOORS WITH PANIC HARDWARE PER SECTION 12.2.2.3, NFPA 101, 2020 EDITION

- LIFE SAFETY LEGEND**
- XX'-X" → TRAVEL DISTANCE TO EXIT
  - COMMON PATH OF TRAVEL
  - ⊗ EXIT CAPACITY (ACTUAL NO. / MAX. NO. OF PERSONS)
  - ← XXXX EGRESS WIDTH REQ'D / EGRESS WIDTH PROVIDED
  - FE FIRE EXTINGUISHER, MTG. HEIGHT (B.O. EXTINGUISHER) = 30" A.F.F.
  - FE FIRE EXTINGUISHERS W/ NORMAL HAZARD RATING
  - FE FIRE EXTINGUISHER, CABINET MOUNTED
  - FE-40 FIRE EXTINGUISHERS W/ 40BC RATING IN KITCHEN - CLASS K
- NOTE: FIRE EXTINGUISHERS TO BE FIELD LOCATED PRIOR TO FINAL CO DURING WALK-THRU WITH LOCAL FIRE INSPECTOR HAVING JURISDICTION.



STOREFRONT SCHEDULE #						GLAZING SCHEDULE #		
MARK	FRAME	MATERIAL	SIZE			MARK	THICK	DESCRIPTION
			WIDTH	HEIGHT	THICK			
(A)	ALUMINUM	ALUM/GLASS	7'-5" V.I.F.	10'-0"	1 3/4"	◇	1-5/16"	IMPACT, MATCH EXISTING
(B)	ALUMINUM	ALUM/GLASS	6'-5" V.I.F.	10'-0"	1 3/4"	◇		
(C)	ALUMINUM	ALUM/GLASS	4'-1" V.I.F.	10'-0"	1 3/4"	◇		
(D)	ALUMINUM	ALUM/GLASS	7'-11" V.I.F.	10'-0"	1 3/4"	◇		
(E)	ALUMINUM	ALUM/GLASS	8'-0" V.I.F.	10'-0"	1 3/4"	◇		

DOOR SCHEDULE #		
MARK	FRAME	DESCRIPTION
(1)	ALUM/GLASS	STOREFRONT DOUBLE DOOR
(2)	ALUM/GLASS	STOREFRONT



**GLAZING SCHEDULE #**

MARK THICK DESCRIPTION

◇ 1-5/16" IMPACT, MATCH EXISTING

**HARDWARE**

GROUP "A" - EGRESS DOORS (FPA)

PLEASE PROVIDE ELECTRIC STRIKE AT DOOR.

INSTALLED PER

NOTE: EXTERIOR DOORS, WINDOWS, STOREFRONT, ETC. ALL SHALL BE INSTALLED PER FLORIDA PRODUCT APPROVAL AS TESTED. ANY AND ALL

**FOR CONSTRUCTION**