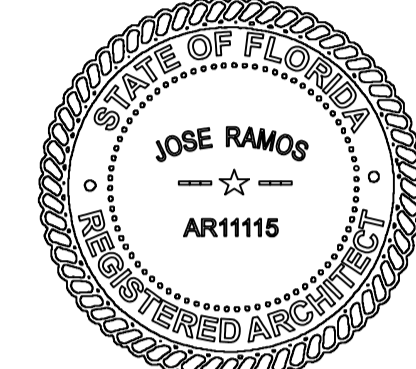




ZORINA MONTIEL  
PH. 786.546.3080  
JOSE RAMOS AR 11115  
PH. 305.506.7388



SEAL:  
**Jose Ramos**  
Digitally signed by Jose Ramos  
Date: 2021.08.27 17:56:17 -0400

ALL IDEAS, DESIGNS, ARRANGEMENTS, AND PLANS INDICATED OR REPRESENTED BY THIS DRAWING ARE OWNED BY, AND THE PROPERTY OF RAMOS ARCHITECTS & ASSOC. AND WERE CREATED, EVOLVED AND DEVELOPED FOR USE ON AND IN CONNECTION WITH THE SPECIFIED PROJECT. NONE OF SUCH IDEAS, DESIGNS, ARRANGEMENTS OR PLANS SHALL BE USED BY OR DISCLOSED TO ANY PERSON, FIRM OR CORPORATION FOR ANY PURPOSE WHATSOEVER WITHOUT THE WRITTEN PERMISSION OF RAMOS ARCHITECTS & ASSOCIATES. WRITTEN DIMENSIONS OF THESE DRAWINGS SHALL HAVE PRECEDENCE OVER SCALED DIMENSIONS. CONTRACTORS SHALL VERIFY, AND BE RESPONSIBLE FOR ALL DIMENSIONS AND CONDITIONS ON THE JOB AND THIS OFFICE MUST BE NOTIFIED OF ANY VARIATIONS FROM THE DIMENSIONS AND CONDITIONS SHOWN BY THESE DRAWINGS. SHOP DETAILS MUST BE SUBMITTED TO THIS OFFICE FOR APPROVAL BEFORE PROCEEDING WITH FABRICATION. ALL RIGHTS RESERVED © 2021.

**NEW PANELBOARD "1H" SCHEDULE.** VOLTS: 277/480V 3Ø, 4W  
SHORT CIRCUIT RATING: 42,000 AIC  
LOCATION: SEE DWGS  
MAIN BUS AMPS: 100 A  
M.C.B.: 100 A

BUS KVA			LOAD	WIRE	GND	COND	AMPS	BUS			AMPS	COND	GND	WIRE	LOAD	BUS KVA			
A	B	C						A	B	C						A	B	C	
0.8			LIGHTING _ RECP+CORR+LOUN	#12	#12	1/2"	1/20	1	2	1/20	1/2"	#12	#12	LIGHTING _ THERAPY RMS	0.76				
0.76			LIGHTING _ THERAPY RMS	#12	#12	1/2"	1/20	3	4	1/20	1/2"	#12	#12	LIGHTING _ THERAPY RMS	0.76				
			SPACE					5	6					SPACE					
			SPACE					7	8					SPACE					
			SPACE					9	10					SPACE					
			SPACE					11	12					SPACE					
			SPACE					13	14					SPACE					
			SPACE					15	16					SPACE					
			SPACE					17	18					SPACE					
			SPACE					19	20					SPACE					
7.17			TO TRX T30 (30KW)	#8	#10	1"	3/50												
7.17																			

1. ELECTRICAL PANELS' GENERAL NOTES:  
ALL APPLIANCES TO BE CERTIFIED BY NATIONALLY RECOGNIZED TESTING LABORATORY AS PER NEC 110.2  
ALL EQUIPMENT TO BE INSTALLED BY GENERAL CONTRACTOR. VERIFY EXACT LOCATION AND EQUIPMENT PLATE PRIOR TO ROUGH INSTALLATION.  
CONTRACTOR VERIFY AND PROVIDE CONDUIT WIRE AND CIRCUIT BREAKER AS PER MANUFACTURER RECOMMENDATIONS  
CONTRACTOR VERIFY AIC AT FIELD. CONTRACTOR TO MATCH EXISTING CONDITIONS

**NEW PANELBOARD "1L" SCHEDULE.** VOLTS: 120/208V 3Ø, 4W  
SHORT CIRCUIT RATING: 22,000 AIC  
LOCATION: SEE DWGS  
MAIN BUS AMPS: 100 A  
M.C.B.: 100 A

BUS KVA			LOAD	WIRE	GND	COND	AMPS	BUS			AMPS	COND	GND	WIRE	LOAD	BUS KVA		
A	B	C						A	B	C						A	B	C
2.33			FCU-1	#8	#10	1"	2/40	1	2	2/40	1"	#10	#8	IWH-1	4.1			
0.72			RECP. _ RECEPTION	#12	#12	1/2"	1/20	3	4	#12	#12	1/2"	1/20	SMALL APP. _GFI	1.5			
0.54			RECP. _ THERAPY ROOM 1	#12	#12	1/2"	1/20	5	6	#12	#12	1/2"	1/20	FRODGE	1.2			
0.54			RECP. _ THERAPY ROOM 2	#12	#12	1/2"	1/20	7	8	#12	#12	1/2"	1/20	MICROWAVE	1.5			
0.54			RECP. _ THERAPY ROOM 3	#12	#12	1/2"	1/20	9	10	#12	#12	1/2"	1/20	J-BOX _ MOTORIZED DAMPER	0.6			
			SPACE					11	12	#12	#12	1/2"	1/20	SPACE				
			SPACE					13	14					SPACE				
			SPACE					15	16					SPACE				
			SPACE					17	18					SPACE				
			SPACE					19	20					SPACE				

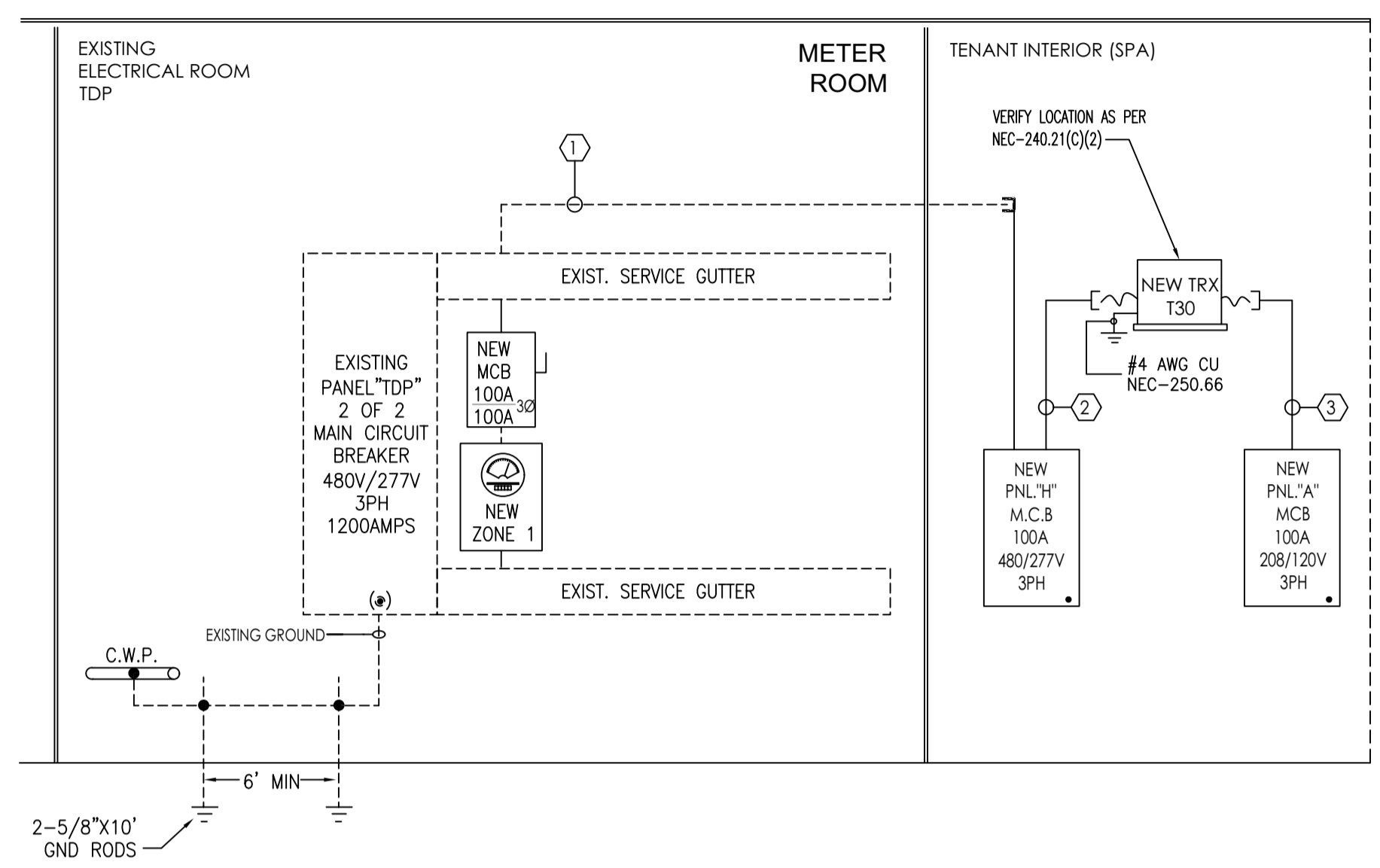
1. ELECTRICAL PANELS' GENERAL NOTES:  
ALL APPLIANCES TO BE CERTIFIED BY NATIONALLY RECOGNIZED TESTING LABORATORY AS PER NEC 110.2  
ALL EQUIPMENT TO BE INSTALLED BY GENERAL CONTRACTOR. VERIFY EXACT LOCATION AND EQUIPMENT PLATE PRIOR TO ROUGH INSTALLATION.  
CONTRACTOR VERIFY AND PROVIDE CONDUIT WIRE AND CIRCUIT BREAKER AS PER MANUFACTURER RECOMMENDATIONS  
CONTRACTOR VERIFY AIC AT FIELD. CONTRACTOR TO MATCH EXISTING CONDITIONS  
(TR-) 50% OF RECEPTACLES MUST BE CONTROLLED IN OFFICES, CONFERENCE ROOMS, PRINTING ROOMS, BREAK ROOMS, WORK STATION AND CLASSROOMS  
TIMERS, OCCUPANCY SENSORS, OR A COMBINATION OF BOTH CAN BE USED FOR CONTROLLING RECEPTACLES. CONTRACTOR TO COORDINATE AT FIELD. REFER TO DETAIL ON THIS SHEET

**PANEL - 1H**  
DEMAND LOAD CALCULATIONS  
(BASED ON 277/480 V, 3PH, 4W)

3,080 VA	CONT. LIGHTING	Ø 125 %	(NEC 220-20) =	3,080 VA
0 VA	AC EQUIPMENT	Ø 100 %	(NEC 220-20) =	0 VA
0 VA	OTHER LOAD	Ø 100 %	(NEC 220-20) =	0 VA
21,500 VA	SUB PANEL VIA TRX	Ø 100 %	(NEC 220-20) =	21,500 VA
TOTAL DEMAND LOAD =				24,580 VA
24,580 VA / [480 V * √3] =				29.58 AMP

**PANEL - 1L**  
DEMAND LOAD CALCULATIONS  
(BASED ON 120/208 V, 3PH, 4W)

0 VA	CONT. LIGHTING	Ø 125 %	(NEC 220-20) =	0 VA
15,100 VA	OTHER LOAD	Ø 100 %	(NEC 220-20) =	15,100 VA
1,800 VA	RECEPTACLES	Ø 100 %	(NEC 220-20) =	1,800 VA
4,600 VA	AC EQUIPMENT	Ø 100 %	(NEC 220-20) =	4,600 VA
TOTAL DEMAND LOAD =				21,500 VA
21,500 VA / [208 V * √3] =				59.73 AMP



**TRANSFORMER SCHEDULE - DRY TYPE**

PLAN MARK	KVA	PRIMARY				SECONDARY			
		VOLTS	PHASE	CONDUCTORS	MIN. CONDUIT (TRADE SIZE)	VOLTS	PHASE	CONDUCTORS	CONDUIT (TRADE SIZE)
T30	30	480	3	3-#8 AWG & 1-#10 AWG G	1"	120/208	3	4-#3 & 1#8(GRD)	1-1/2"

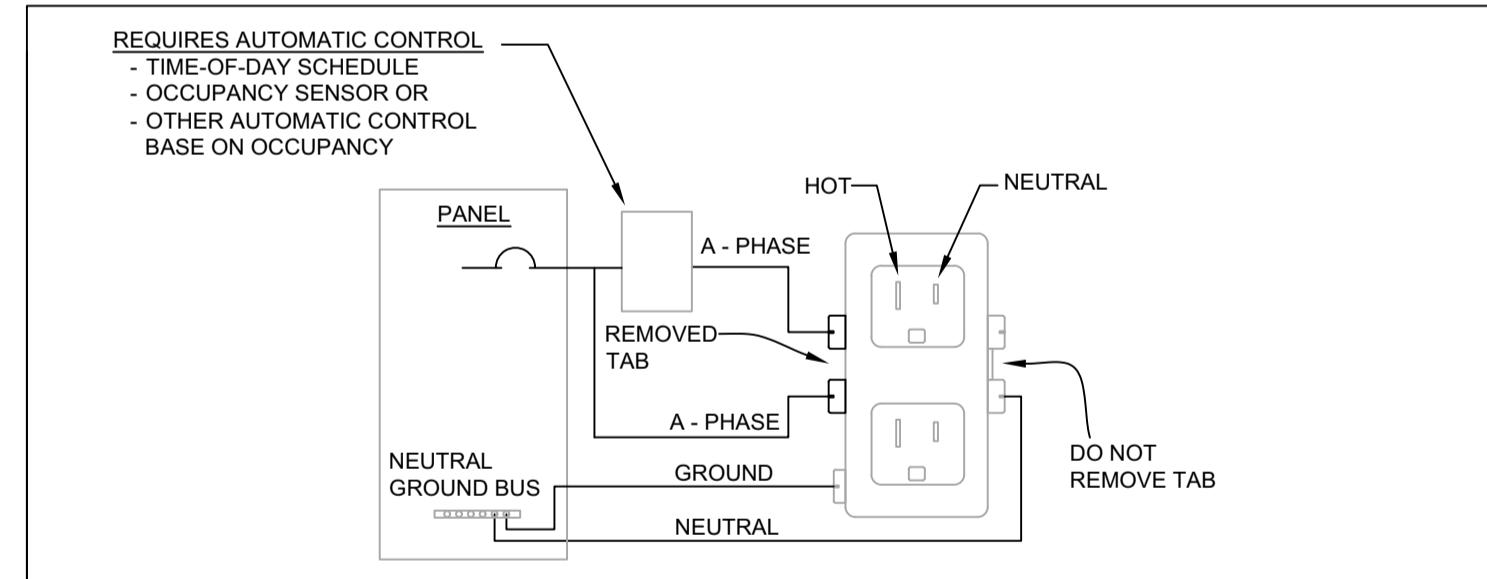
- FEDDER SCHEDULES**
- NEW 4-#3 & 1#8(GRD) INTO EXISTING 3".
  - 4-#8 & 1#10(GRD) IN 1".
  - 3-#3 & 1#8(GRD) IN 1-1/2".

VERY IMPORTANT NOTE:  
CONTRACTOR SHALL PROVIDE SHOP DRAWING OF EXISTING CONDITIONS.

VERY IMPORTANT NOTE:  
CONTRACTOR SHALL VISIT AND INSPECT JOB SITE BEFORE PROVIDE ANY JOB BID. HE SHALL NOTIFIED ENGINEER FOR ANY DISCREPANCY BETWEEN EXISTING CONDITIONS AND PROPOSED DRAWINGS

**VERY IMPORTANT NOTES.**  
THERE IS NOT HAZARDOUS LOCATIONS AS PER NEC ARTICLE 500 EGRESS LIGHTING COMPLIES WITH FBC 1006 ALL LIGHTING SHALL BE IN COMPLIES WITH FBCE 505 ILLUMINATION EFFICIENCY  
THIS DWG IS DIAGRAMMATIC, CONTRACTOR IS TO VERIFY CIRCUITS AT FIELD AND PROVIDE AS BUILT DWG IF REQUIRED. NOTIFY ENGINEERING FOR ANY DISCREPANCIES. VERIFY ALL LIGHTING DEVICES'S ELECTRICAL SPECIFICATIONS.  
EXISTING SERVICE WITH HOT LEG. HOT LEG NOT TO BE USED FOR 120V, 1PH BRANCHES AS NOTED. VERIFY AT FIELD.

VERY IMPORTANT NOTE:  
RECEPTACLE SHALL COMPLY WITH NEC 406.14 AND 406.2



TYPICAL DUPLEX TIMER WIRING CONTROL DIAGRAM N.T.S

**ENERGY CODE REQUIREMENTS NOTE:**  
ALL NON-LOCKING TYPE RECEPTACLES 125-VOLT, 15 AMP AND 20 AMP THAT ARE CONTROLLED BY AN AUTOMATIC CONTROL (SEE DRAWING PANEL SCHEDULE) SHALL BE MARKED WITH THE SYMBOL AS SHOWN IN NEC 406.3 (E)  
RECEPTACLE TIMER CONTROLLED : LEVITON CRO20-2PW REC S/W 20A

PROJECT:  
**QUANTUM ON THE BAY**  
UNIT 212  
**TENANT SPACE INTERIOR RENOV.**  
1900 NORTH BAYSHORE DRIVE, UNIT 212  
MIAMI, FL 33132

DATE	07/23/21

DRAWING TITLE:	
<b>SCHEDULES &amp; RISERS</b>	
DRAWN BY:	CHECKED BY:
ZM	JR
SCALE: AS NOTED	

PROJECT NUMBER  
**21189**

SHEET  
**E-602**