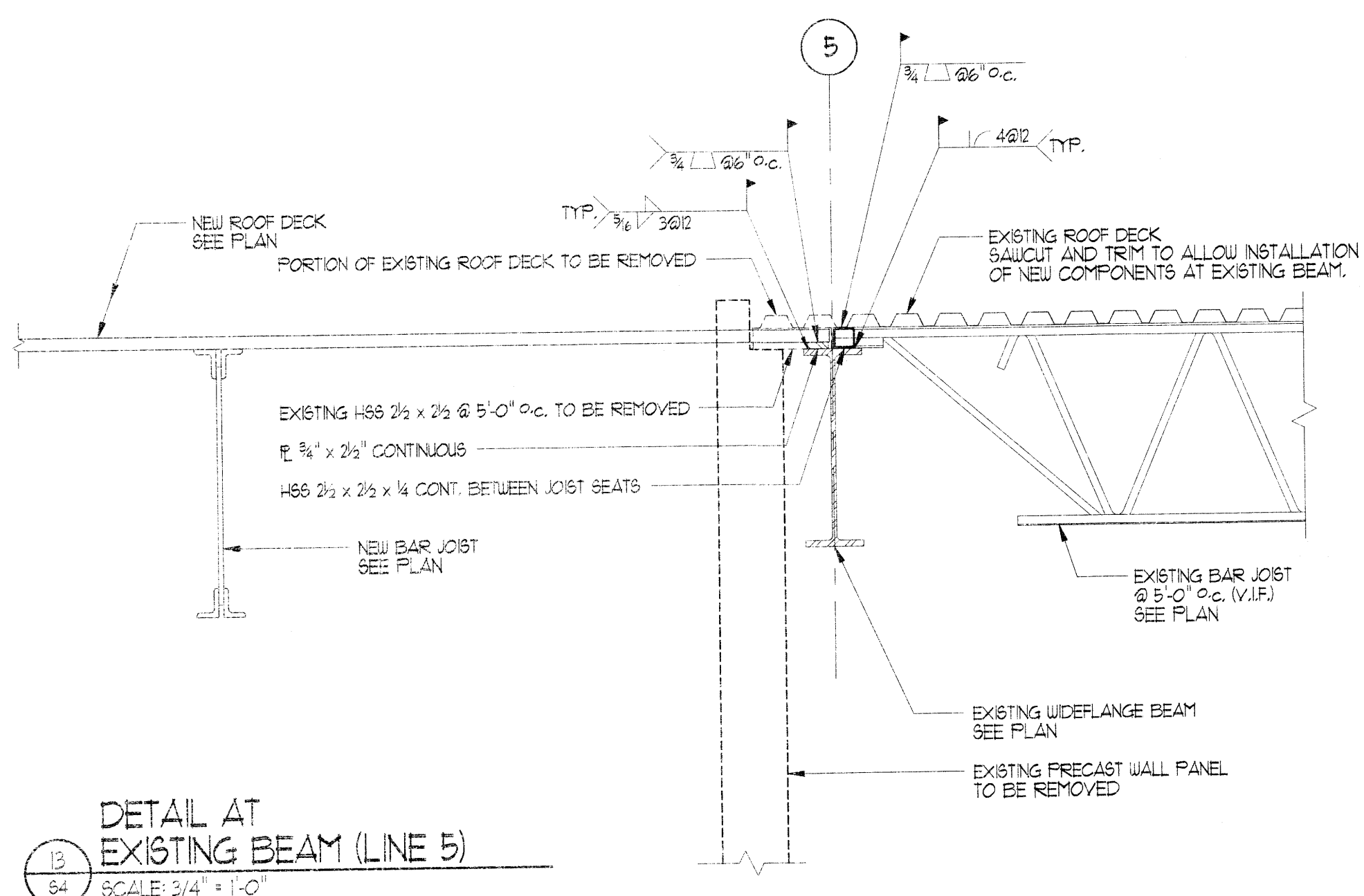
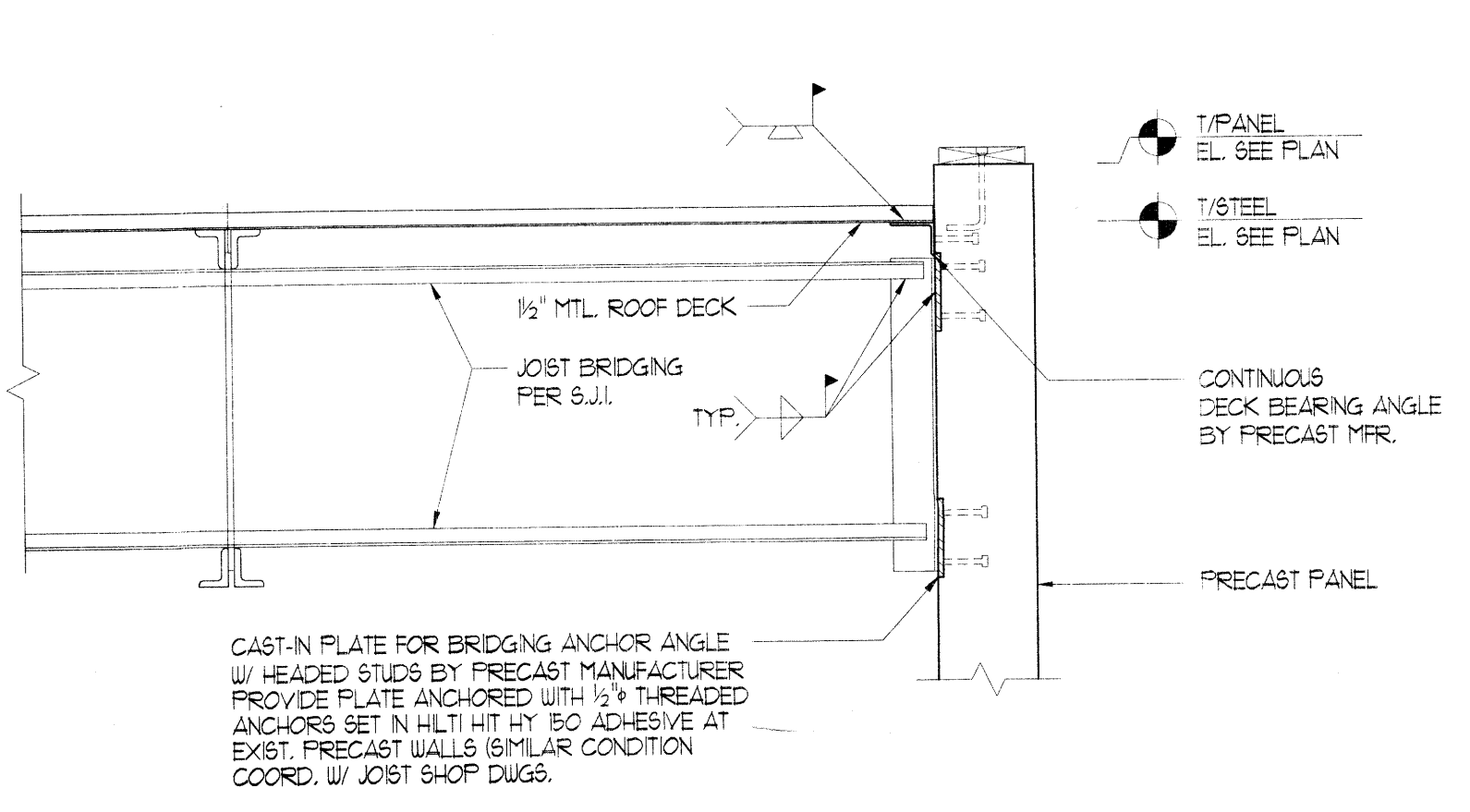


ISSUE	DATE
ISSUE FOR PERMIT	02.10.17
PERMIT CORRECTIONS	03.20.17

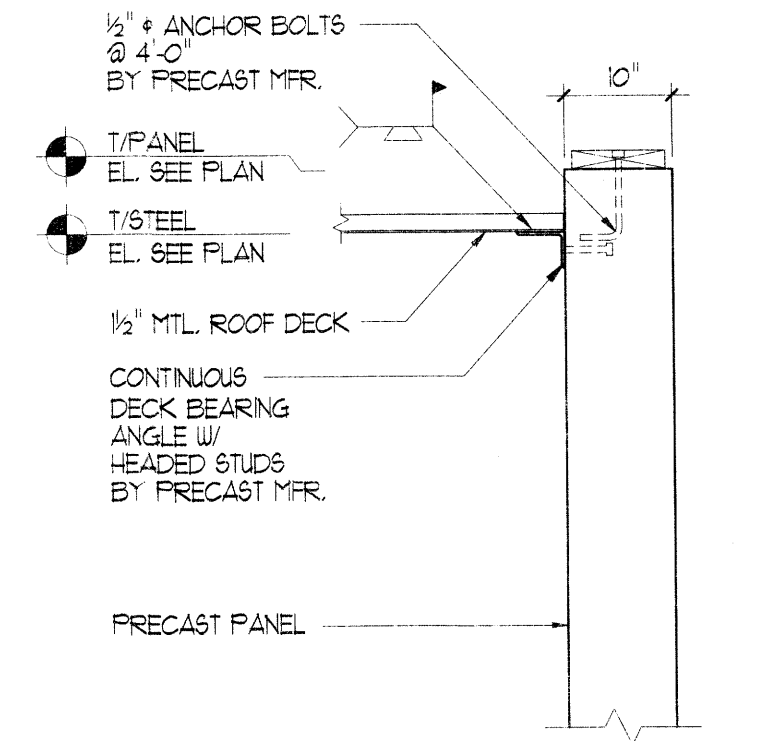
Failure to identify a code violation during the review of the plans DOES NOT give the permit applicant the right to violate the code. The final installation must be in conformance with the codes & ordinances of the Village of Lake Zurich.  
 Approved: *[Signature]* Date: 4/7/17  
 Building Official



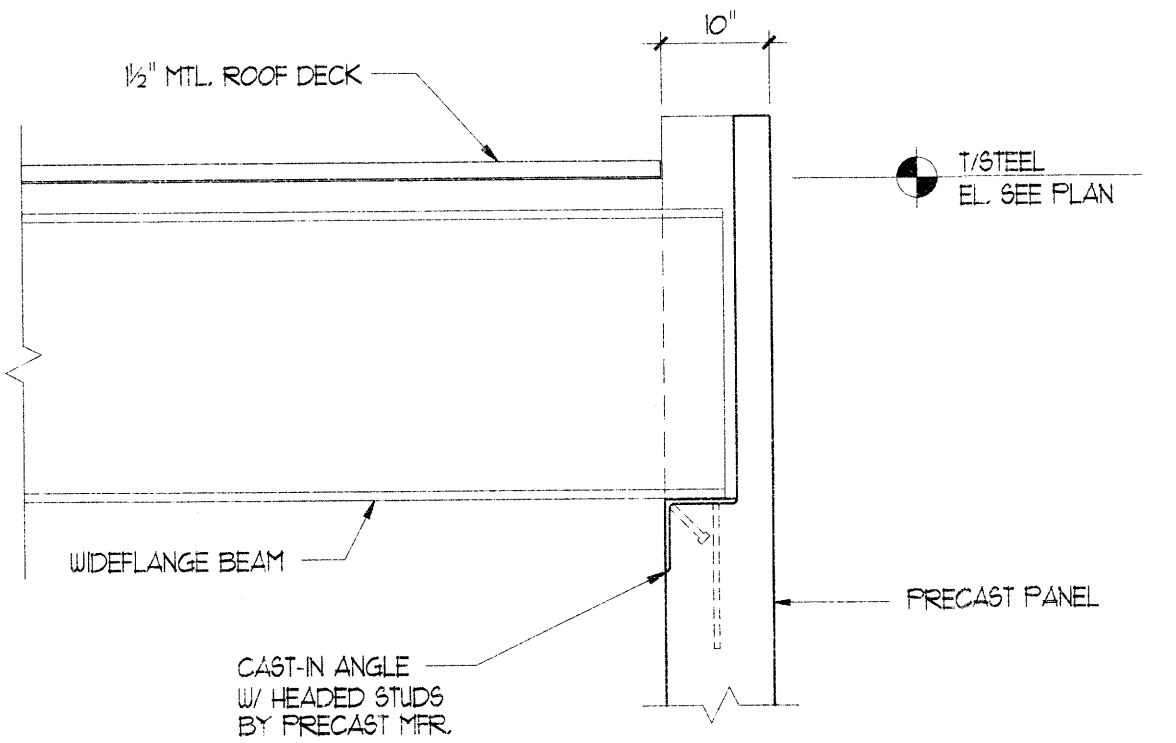
13  
84  
DETAIL AT EXISTING BEAM (LINE 5)  
SCALE: 3/4" = 1'-0"



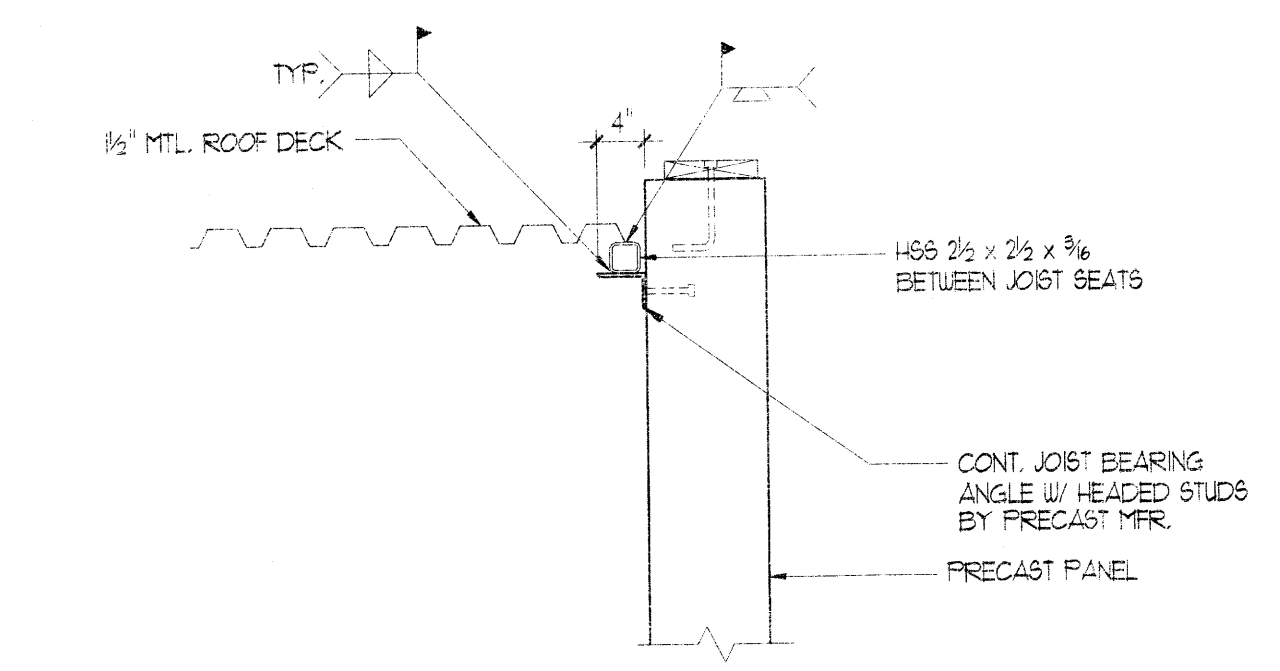
12  
84  
BAR JOIST BRIDGING ANCHORAGE AT PRECAST WALL PANEL DETAIL  
SCALE: 3/4" = 1'-0"



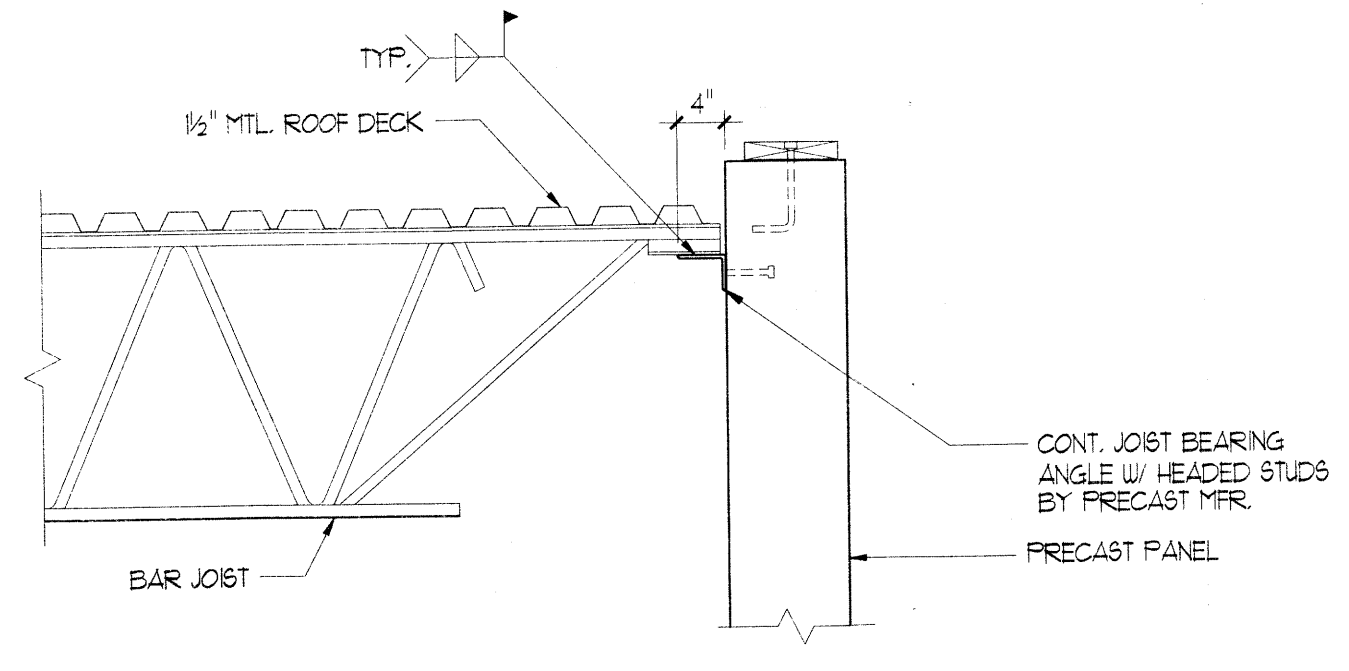
11  
84  
ROOF DECK BEARING ON PRECAST WALL PANEL DETAIL  
SCALE: 3/4" = 1'-0"



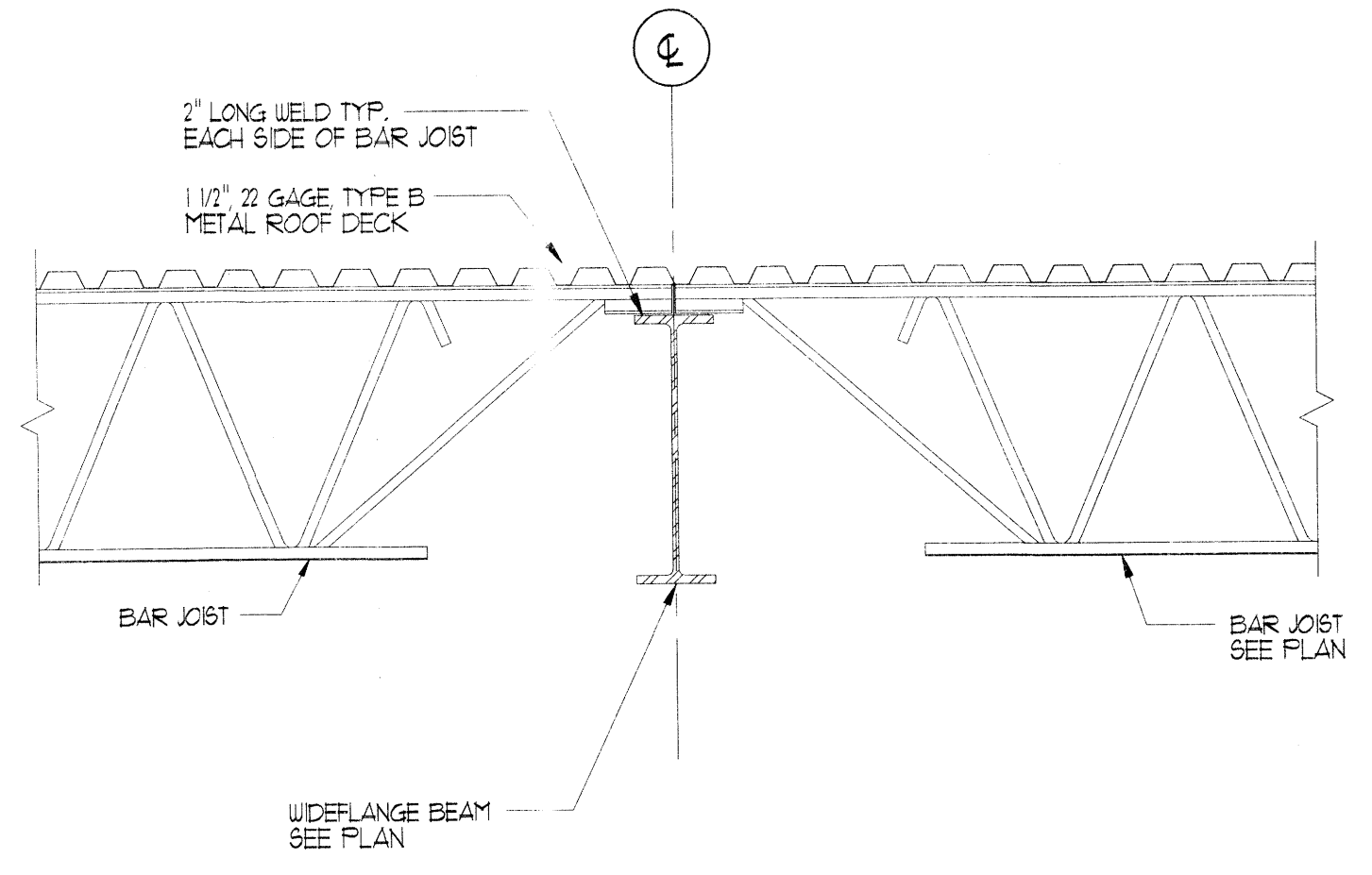
10  
84  
BEAM BEARING ON PRECAST WALL PANEL DETAIL  
SCALE: 3/4" = 1'-0"



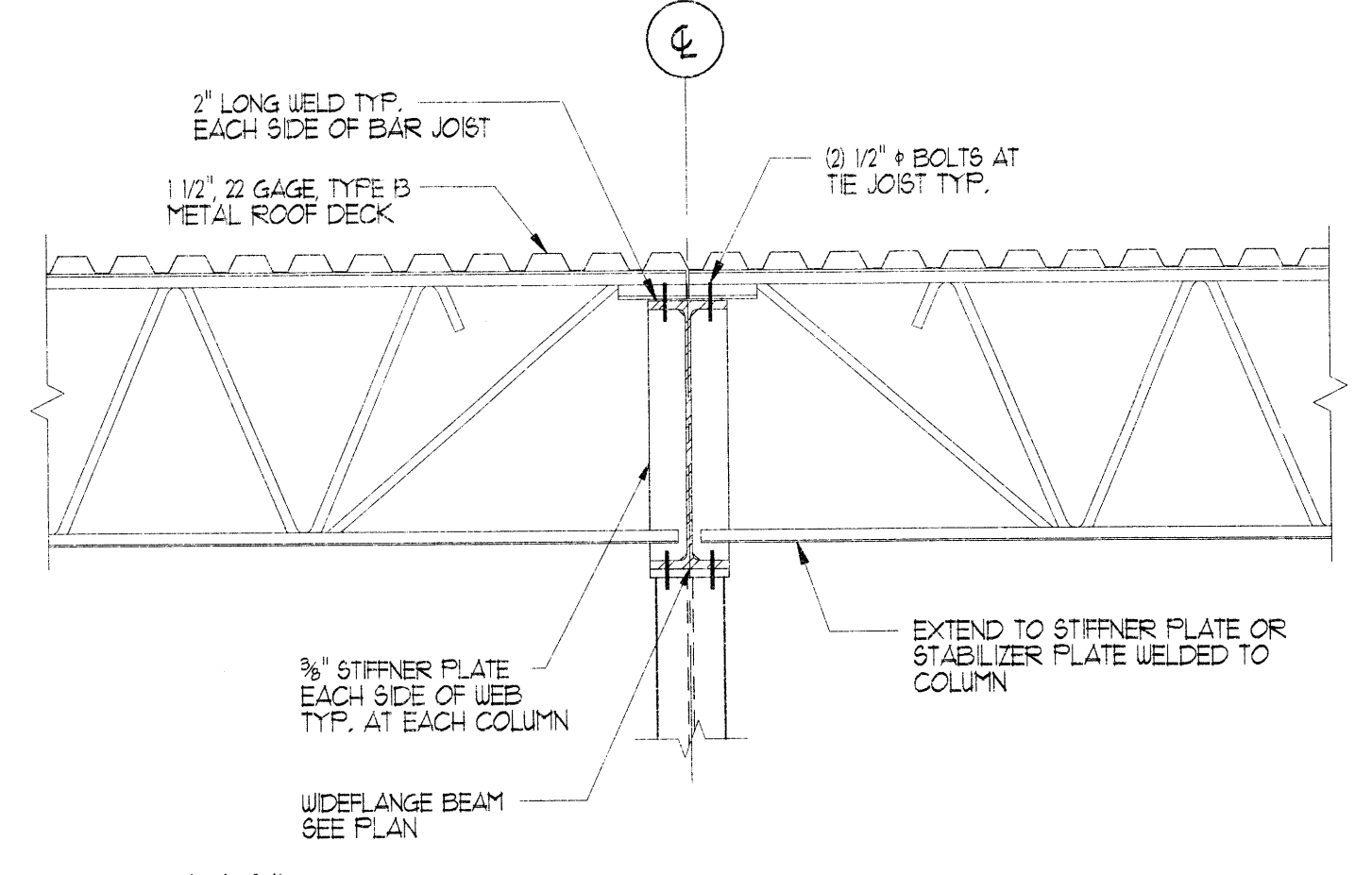
9  
84  
METAL DECK ANCHORAGE AT PRECAST WALL PANEL DETAIL  
SCALE: 3/4" = 1'-0"



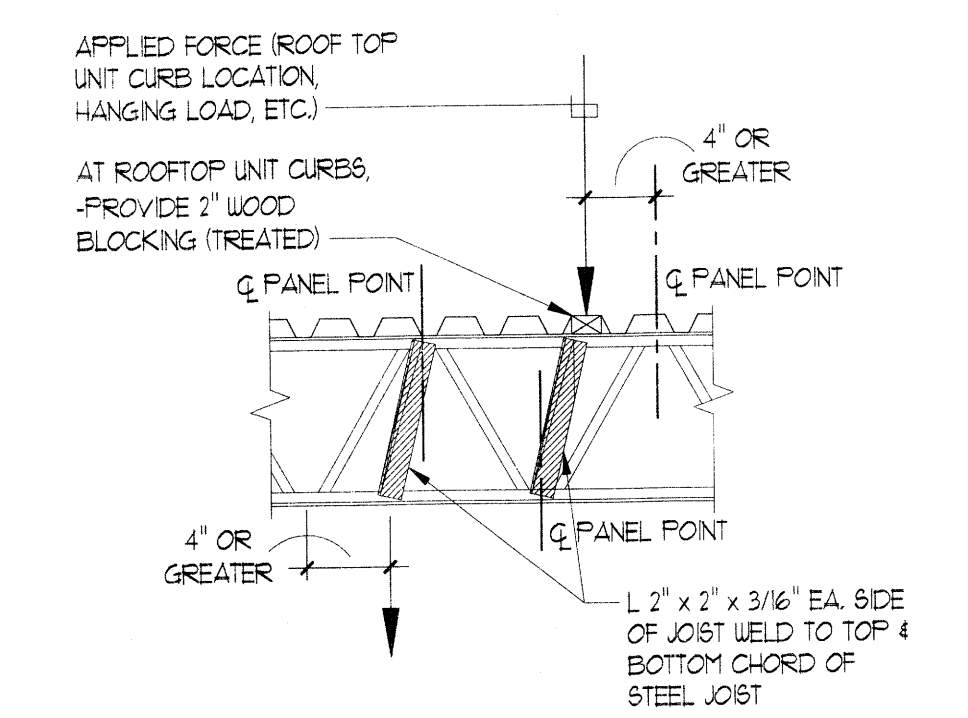
8  
84  
BAR JOIST ANCHORAGE AT PRECAST WALL PANEL DETAIL  
SCALE: 3/4" = 1'-0"



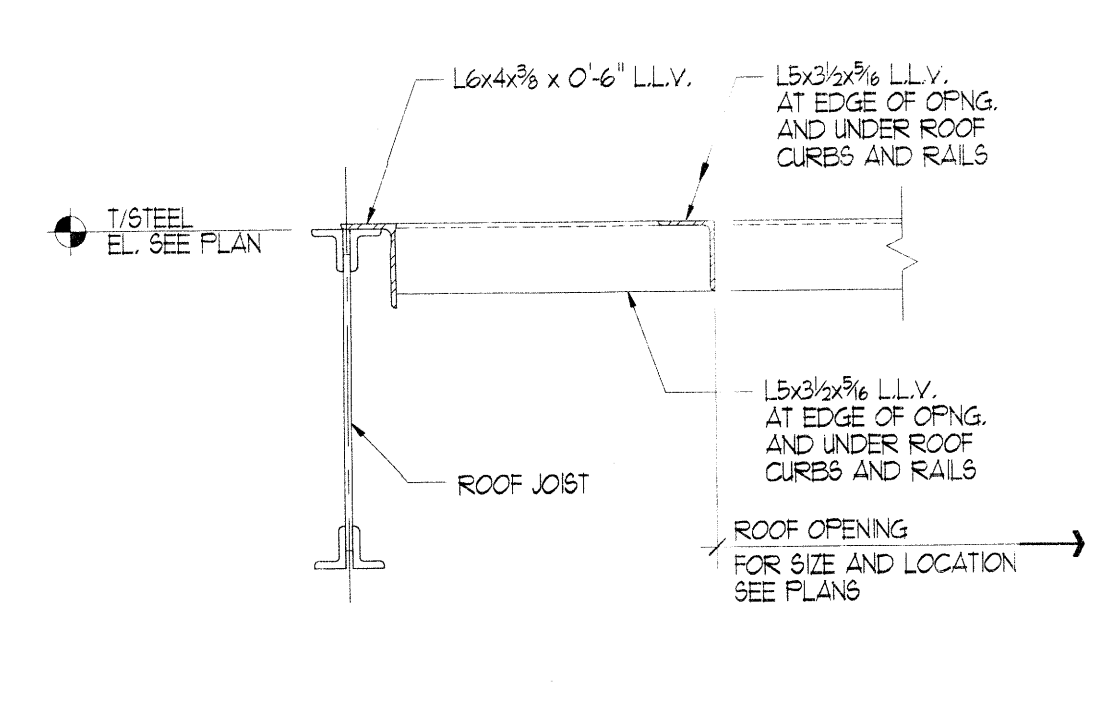
7  
84  
DETAIL BARJOIST ON WIDEFLANGE GIRDER  
SCALE: 3/4" = 1'-0"



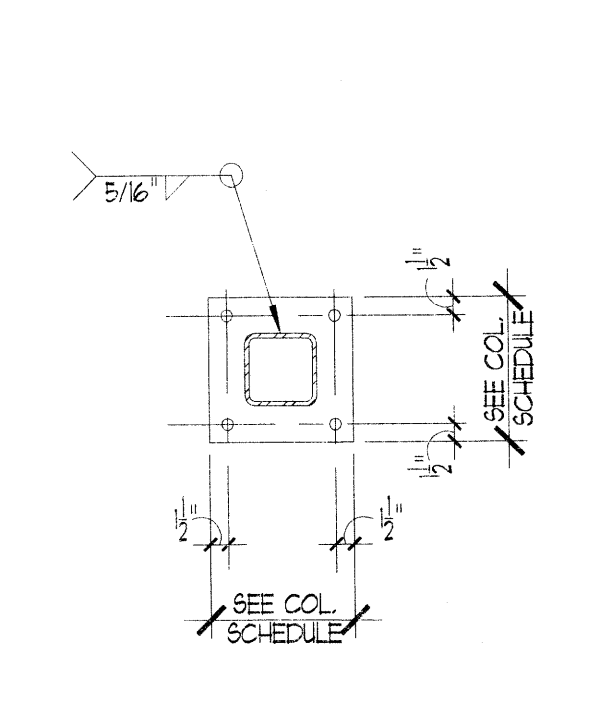
6  
84  
DETAIL BARJOIST ON COLUMN CENTERLINE  
SCALE: 3/4" = 1'-0"



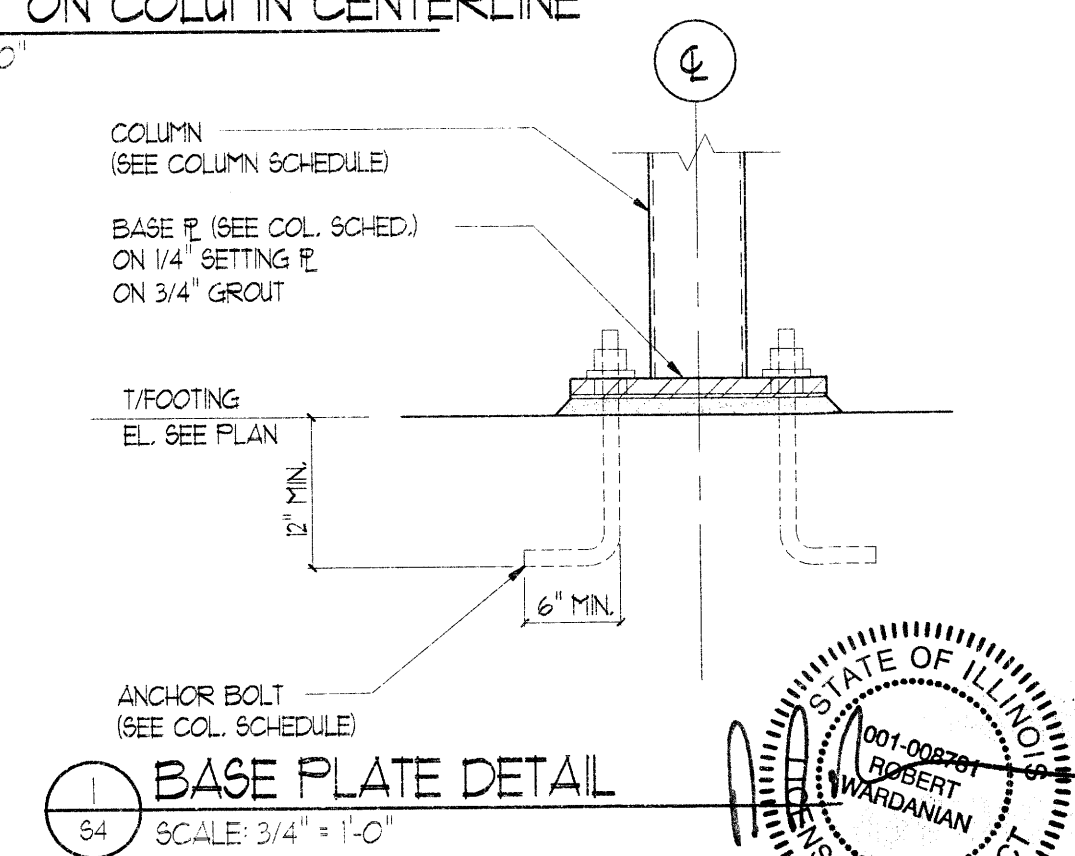
4  
84  
TYPICAL JOIST REINFORCING DETAIL FOR CONCENTRATED LOAD OFF PANEL POINT  
SCALE: NTS



3  
84  
TYPICAL SUPPLEMENTAL FRAMING AT ROOF OPENINGS  
SCALE: 3/4" = 1'-0"

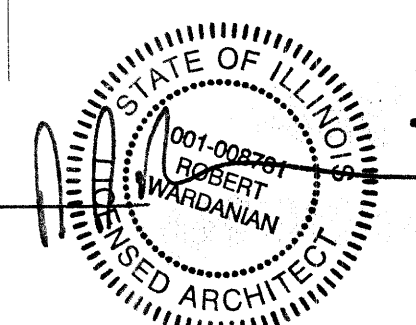


2  
84  
BASE PLATE DETAIL  
SCALE: 3/4" = 1'-0"



1  
84  
BASE PLATE DETAIL  
SCALE: 3/4" = 1'-0"

GREETIS ASSOCIATES  
STRUCTURAL ENGINEERS, P.C.  
50 N. BROCKWAY ST. PALATINE, IL 60067  
647/991-4204 greetisassociates@ameritech.net



SCREENCO

585 CAPITAL DR. LAKE ZURICH, IL.

P.O. BOX 518  
LAKE ZURICH, IL 60047  
847-540-0200

**FFLEX**  
CONSTRUCTION CORPORATION

DATE	01.20.17
SCALE:	NOTED
DRAWN	
JOB	

S4