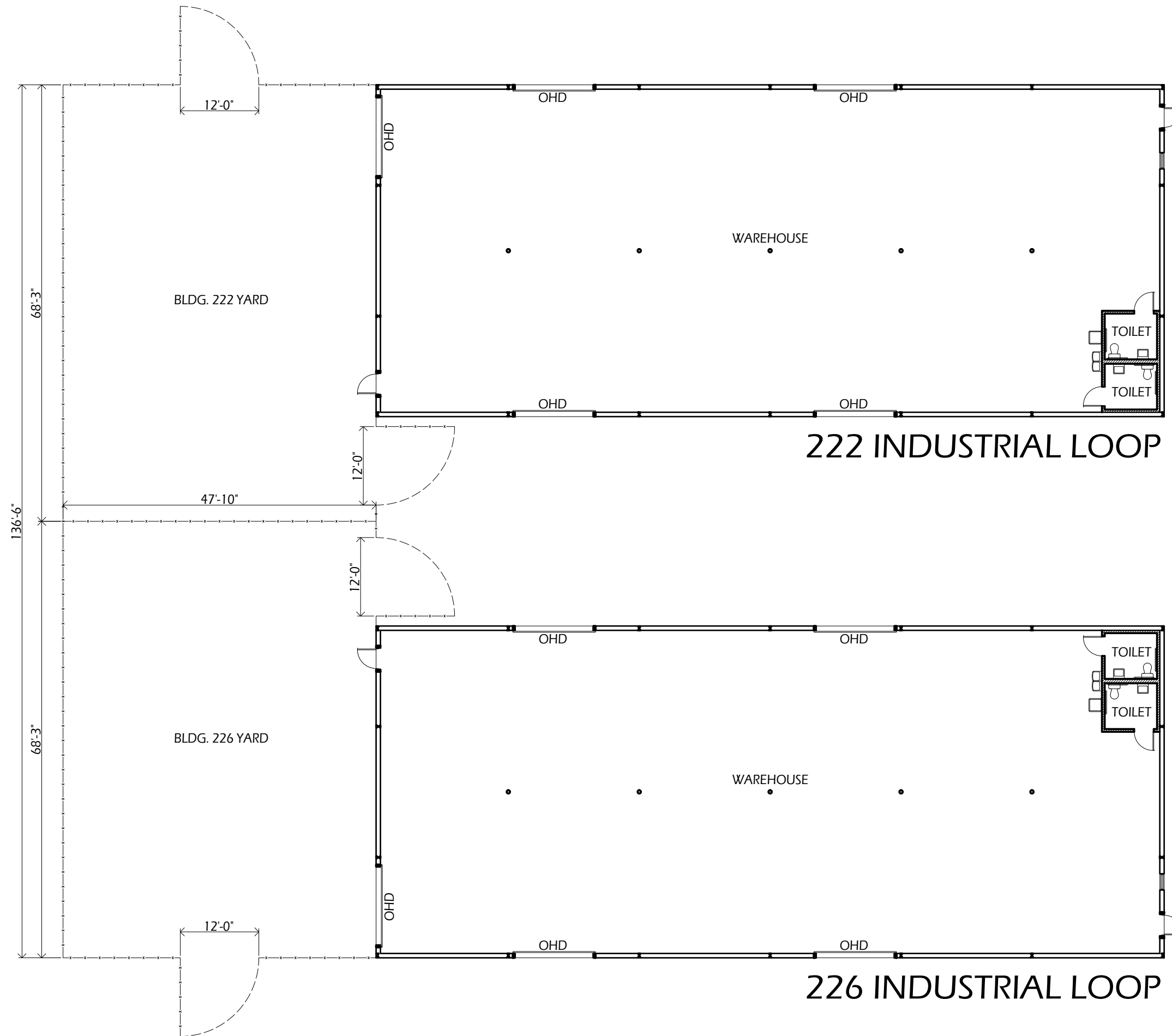
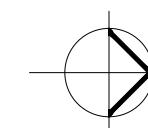
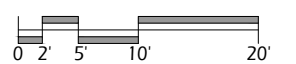


Existing Plan:  
**222 & 226  
Industrial Loop**  
Orange Park, Florida 32073

Architectural Services:  
Michael Blake Architects LLC  
904 Margaret Street, Suite 101  
Jacksonville, Florida 32204  
M. Blake Reg. No. AR 96125



 **FLOOR PLAN**  
1/16"=1'-0"  
  
**1** OF 1  
11.19.2025