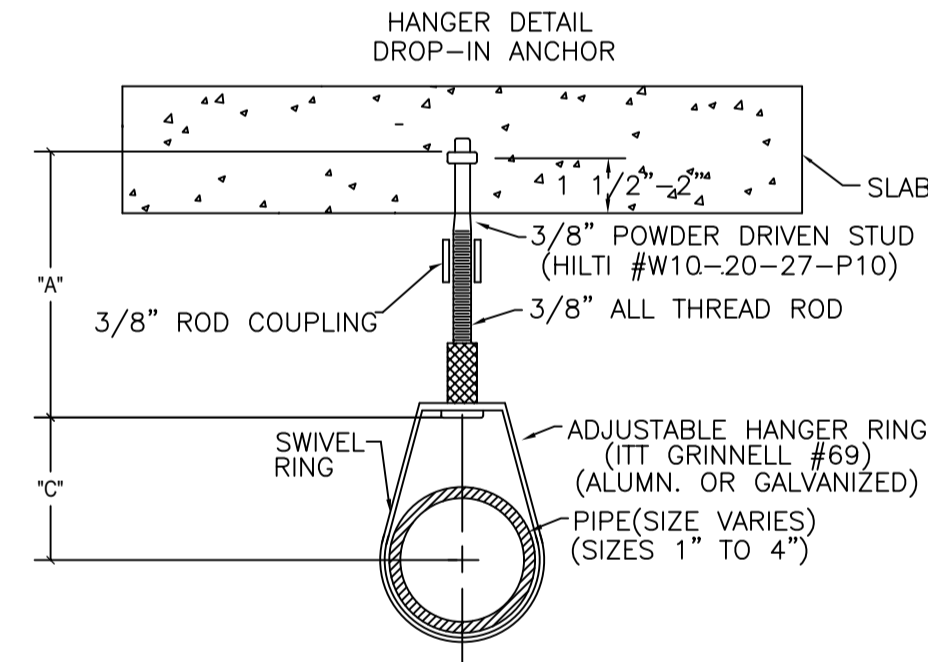


MAXIMUM HANGER SPACING (FT.)										
PIPE SIZE (IN.)	3/4	1	1 1/4	1 1/2	2	2 1/2	3	4	6	8
THREADED LIGHTWALL STEEL PIPE	N/A	12	12	12	12	12	12	N/A	N/A	N/A
STEEL PIPE EXCEPT THREADED LIGHTWALL	N/A	12	12	15	15	15	15	15	15	15

- NOTES:
1. MAXIMUM DISTANCE BETWEEN END SPRINKLER AND LAST HANGER ON BRANCH LINES SHALL NOT EXCEED 36" FOR 1" PIPE, 48" FOR 1 1/4" PIPE AND 60" FOR 1 1/2" OR LARGER PIPE SIZE. EXTEND BRANCH LINE AND PROVIDE ADDITIONAL HANGER WHERE REQUIRED.
 2. MAXIMUM HORIZONTAL LENGTH OF AN UNSUPPORTED ARMOVER TO A SPRINKLER, SPRINKLER DROP OR SPRIG-UP SHALL NOT EXCEED 24".
 3. MINIMUM DISTANCE BETWEEN A HANGER AND CENTERLINE OF AN UPRIGHT SPRINKLER TO BE 3".
 4. WALL MOUNTED SIDEWALL SPRINKLERS SHALL BE RESTRAINED TO PREVENT MOVEMENT.
 5. HANGERS FOR MAINS SHALL BE IN ACCORDANCE WITH SPACING TABLE ABOVE OR BETWEEN EACH BRANCHLINE, WHICHEVER IS THE LESSER DIMENSION.
 6. PROVIDE SUPPLEMENTARY STEEL WHERE REQUIRED TO SPAN STRUCTURAL MEMBERS.

SPRINKLER HEAD SCHEDULE						
SYMBOL	SERVICE	K FACTOR	TEMP. RATING	ORIFICE	MODEL	MFG.
⊙	COMMON AREA	5.6	155°F	1/2"	BV-OR PENDANT	CENTRAL
●	COMMON AREA	5.6	155°F	1/2"	BV-OR SIDEWALL	CENTRAL

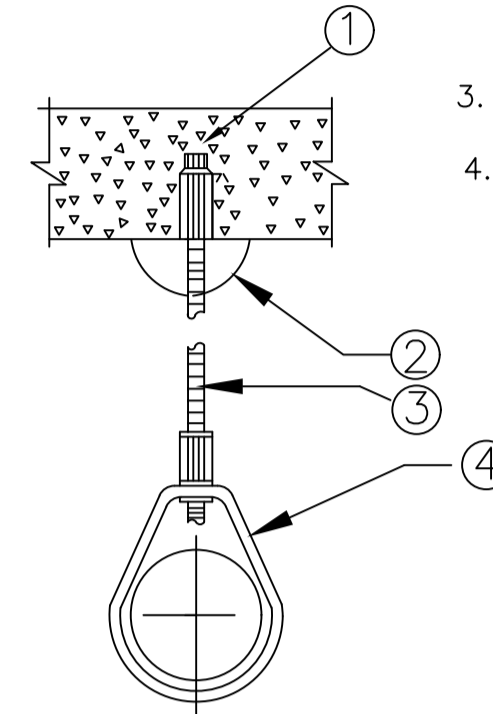
- NOTES:
1. ALL SPRINKLERS TO BE U.L. LISTED QUICK RESPONSE UNLESS NOTED OTHERWISE.
 2. WHITE POLYESTER SPRINKLER FINISH TO BE U.L. LISTED CORROSION RESISTANT. MATCH EXISTING MATERIAL.
 3. MATCH TO EXISTING. COORDINATE AT FIELD.



HANGER DETAIL
N.T.S.

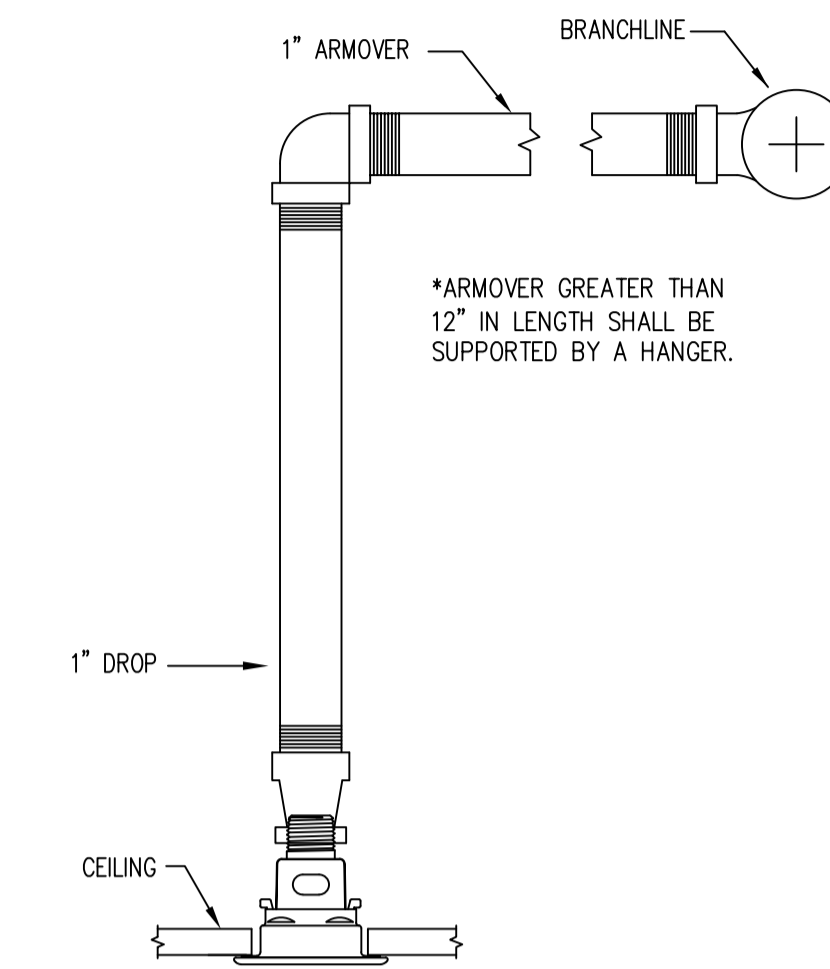
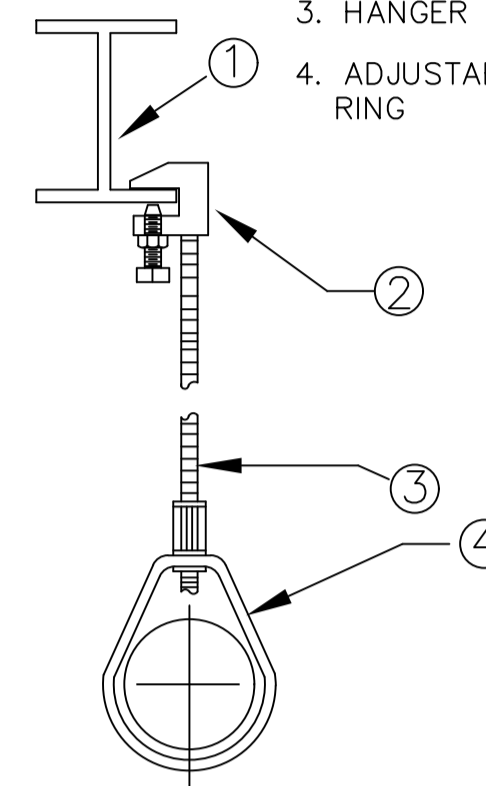
PIPE SIZE	ROD SIZE	TYPE OF FASTENER	MIN. 'C' DIM.	MAX. 'C' DIM.
3/4"	3/8"	1-3/8" X 1-17/32" DROP-IN ANCHOR	1/2"	1-5/8"
1"			5/8"	1-3/4"
1-1/4"			13/16"	1-7/8"
1-1/2"			15/16"	2"
2"	1/2"	1-1/2" X 2-1/32" DROP-IN ANCHOR	1-3/16	2-3/8"
2-1/2"			1-7/16"	2-3/4"
3"			1-3/4"	3-1/4"
3-1/2"			2"	3-5/8"
4"	5/8"	1-5/8" X 2-15/32" DROP-IN ANCHOR	2-1/4"	3-7/8"
5"			2-3/4"	4-3/4"
6"			3-5/16"	5-1/2"
8"			N/A	N/A

- COMPONENTS
1. DROP-IN ANCHOR
 2. SPRING CLIP CEILING PLATE (OPTIONAL)
 3. HANGER ROD
 4. ADJUSTABLE HANGER RING

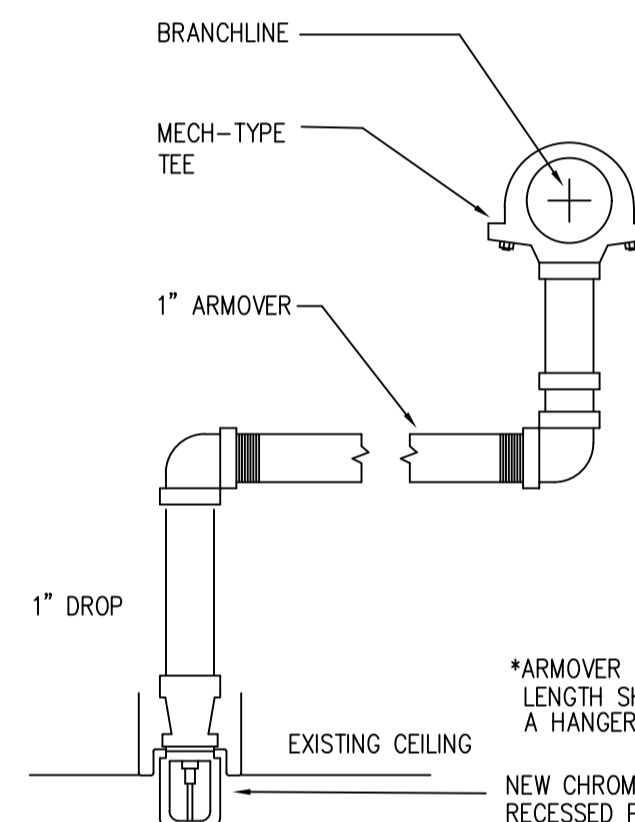


HANGER DETAIL
N.T.S.

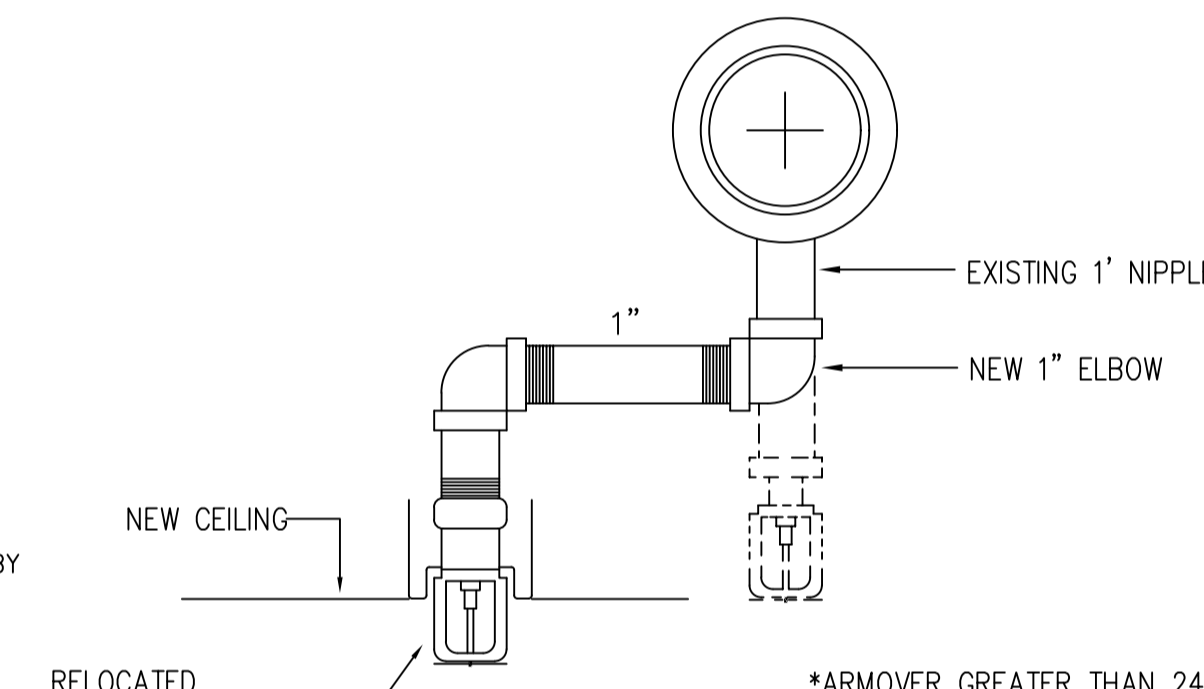
- COMPONENTS
1. METAL-BAR JOISTS
 2. C-CLAMP
 3. HANGER ROD
 4. ADJUSTABLE HANGER RING



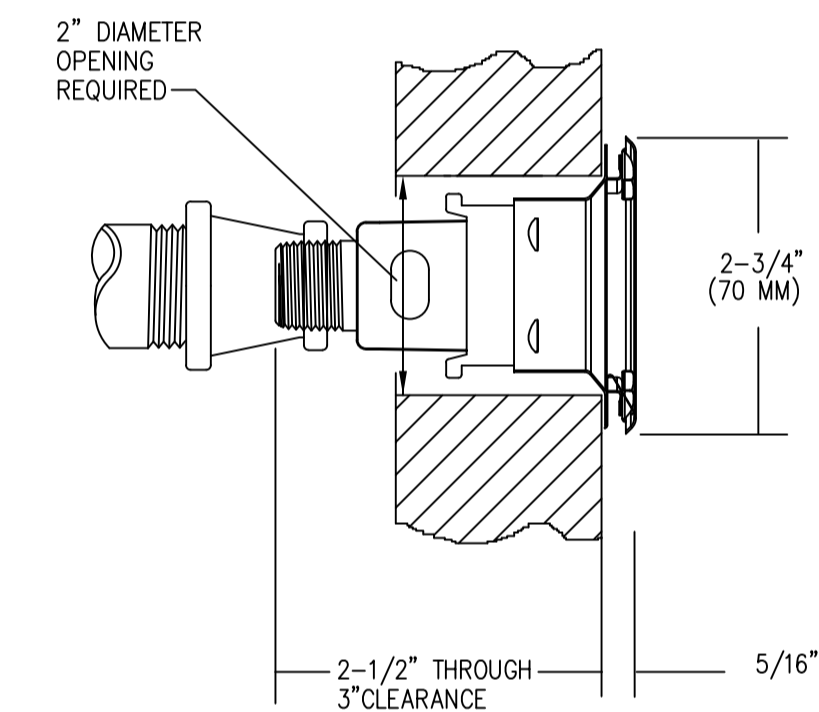
CONCEALED SPRINKLER ARMOVER DETAIL
N.T.S.



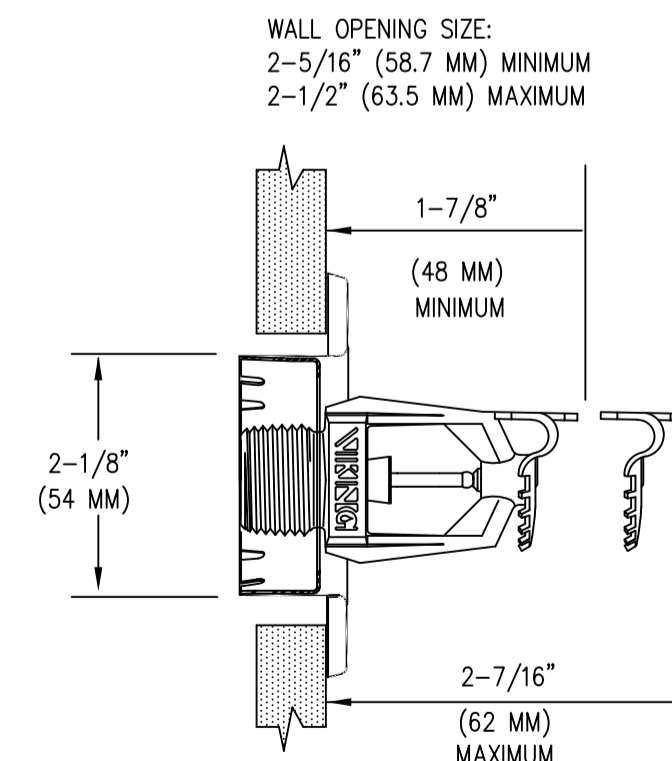
ARMOVER DETAIL
N.T.S.



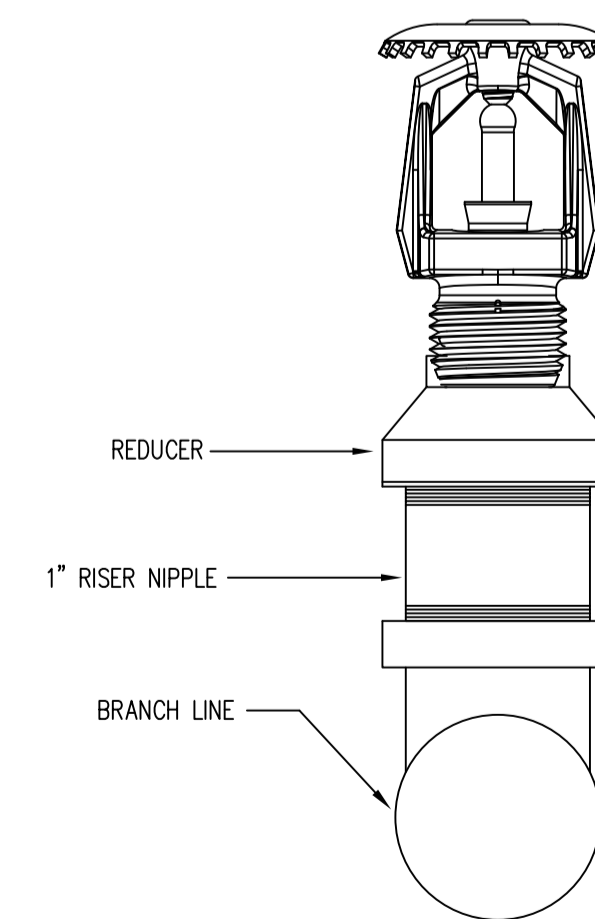
RELOCATION DETAIL
N.T.S.



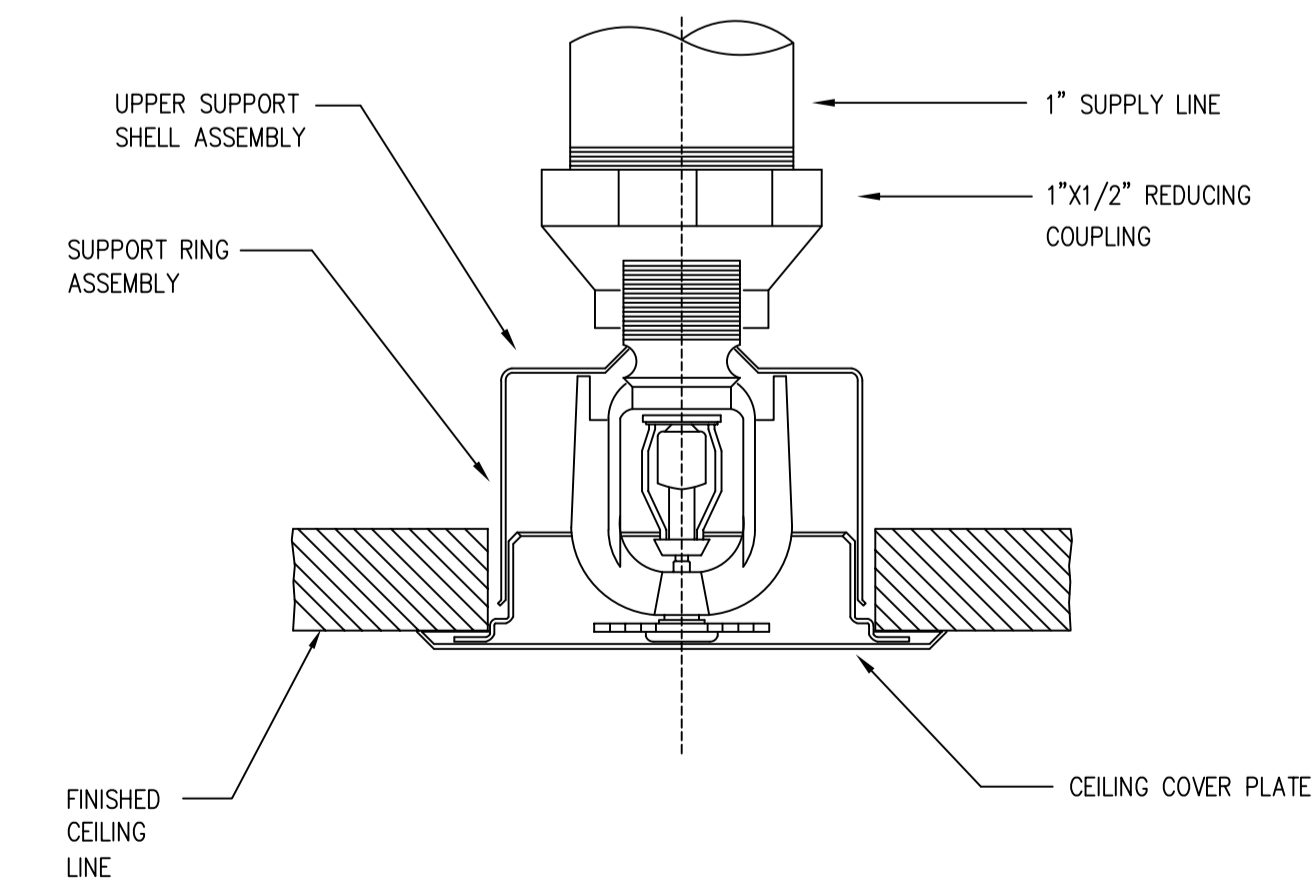
CONCEALED HORIZONTAL SIDEWALL SPRINKLER MOUNTING DETAIL
N.T.S.



HORIZONTAL SIDEWALL SPRINKLER DETAIL
N.T.S.



UPRIGHT SPRINKLER DETAIL
N.T.S.



CONCEALED TYPE SPRINKLER HEAD MOUNTING DETAIL
N.T.S.



ZORINA MONTIEL
PH. 786.546.3080
JOSE RAMOS AR 11115
PH. 305.506.7386



SEAL:
Jose Ramos
Digitally signed by Jose Ramos
Date: 2021.08.27 17:57:55 -04'00'

ALL IDEAS, DESIGNS, ARRANGEMENTS, AND PLANS INDICATED OR REPRESENTED BY THIS DRAWING ARE OWNED BY AND THE PROPERTY OF RAMOS ARCHITECTS & ASSOC. AND WERE CREATED, EVOLVED AND DEVELOPED FOR USE ON AND IN CONNECTION WITH THE SPECIFIED PROJECT. NONE OF SUCH IDEAS, DESIGNS, ARRANGEMENTS OR PLANS SHALL BE USED BY OR DISCLOSED TO ANY PERSON, FIRM OR CORPORATION FOR ANY PURPOSE, WHATSOEVER WITHOUT THE WRITTEN PERMISSION OF RAMOS ARCHITECTS & ASSOCIATES. WRITTEN DIMENSIONS OF THESE DRAWINGS SHALL HAVE PRECEDENCE OVER SCALED DIMENSIONS. CONTRACTORS SHALL VERIFY, AND BE RESPONSIBLE FOR ALL DIMENSIONS AND CONDITIONS ON THE JOB AND THIS OFFICE MUST BE NOTIFIED OF ANY VARIATIONS FROM THE DIMENSIONS AND CONDITIONS SHOWN BY THESE DRAWINGS. SHOP DETAILS MUST BE SUBMITTED TO THIS OFFICE FOR APPROVAL BEFORE PROCEEDING WITH FABRICATION. ALL RIGHTS RESERVED. © 2021

PROJECT:
QUANTUM ON THE BAY
UNIT 212
TENANT SPACE INTERIOR RENOV.
1900 NORTHBAYSHORE DRIVE, UNIT 212
MIAMI, FL 33132

DATE: 07/23/21

DRAWING TITLE:
SCHEDULES & DETAILS

DRAWN BY: ZM CHECKED BY: JR
SCALE: AS NOTED

PROJECT NUMBER
21189

SHEET
FP-501