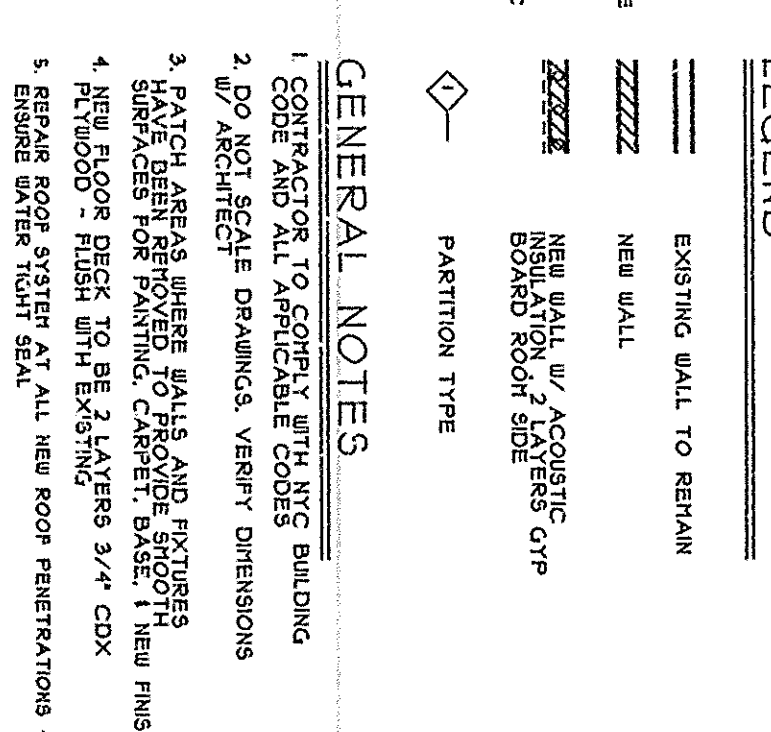
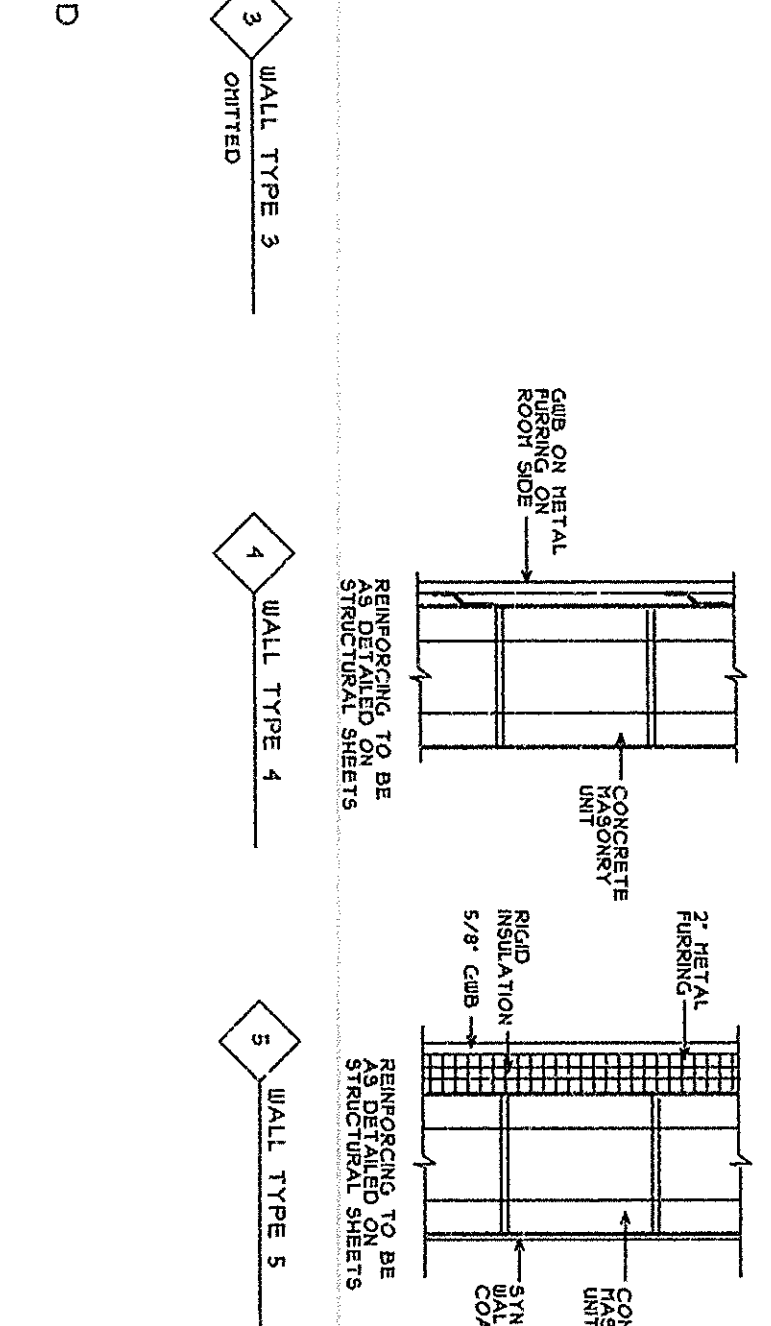
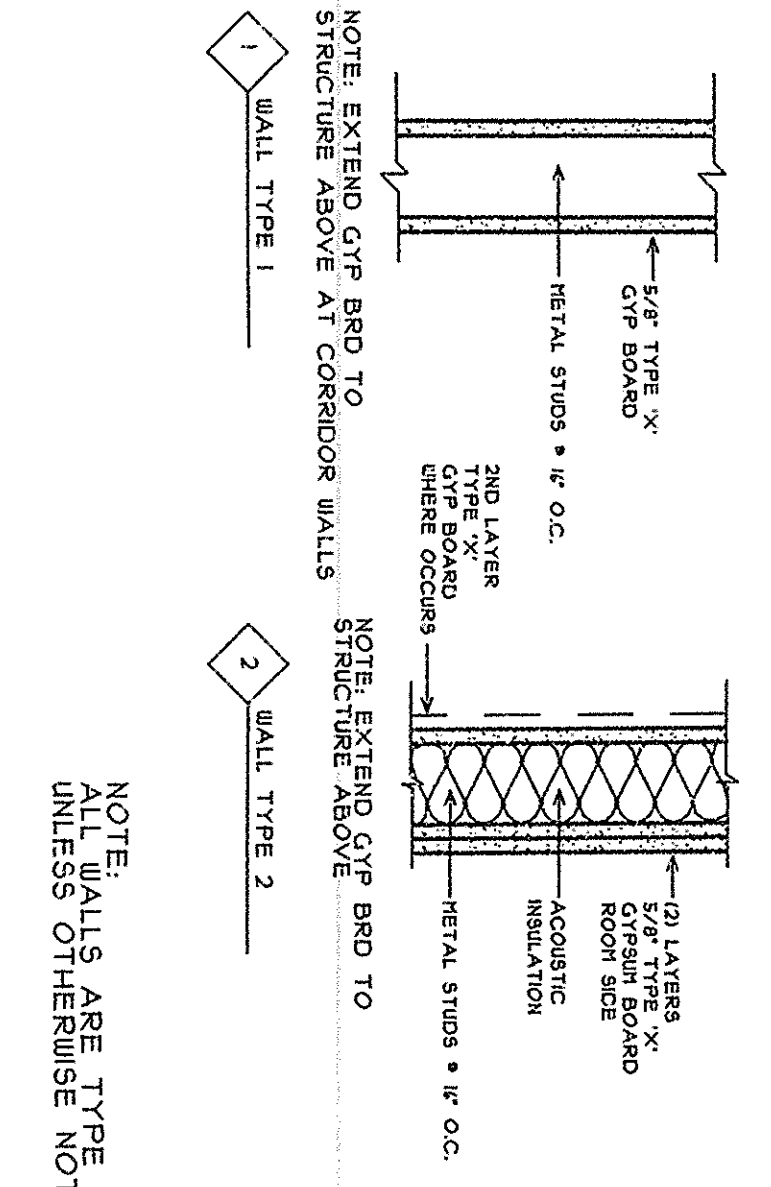


BASEMENT PLAN
SCALE: 1/8" = 1'-0"

FIRST FLOOR PLAN
SCALE: 1/8" = 1'-0"

SECOND FLOOR PLAN
SCALE: 1/8" = 1'-0"



GENERAL NOTES

1. CONSTRUCTORS TO CORRECT SPLITTING BUILDING CODE AND ALL APPLICABLE CODES BUILDING BY ARCHITECT
2. DO NOT SCALE DIMENSIONS, VERIFY DIMENSIONS BY ARCHITECT
3. PATCH AREAS AS SHOWN FOR ALL NEW PARTITIONS SURFACES FOR PAINTING, CARPET BASE, NEW FINISHES.
4. NEW FLOOR DECK TO BE 2 LAYERS 3/4" CDX.
5. FINISH BASE TO BE 1/2" CDX.
6. FINISH BASE TO BE 1/2" CDX.

SUBMISSION FOR AMENDED BUILDING PERMIT

ADAPT & NHB

NO.	DATE	CHECKED
1	1/11/93	DAR
2	7/6/93	DAR
3	3/19/99	

AMENDED PLAN

DRAWN BY	CHECKED BY	DATE	PROJECT NUMBER
GRW	DAR	04 OCT 1991	546-8604

SHEET TITLE
FLOOR PLANS

PROJECT TITLE
RIDGEWOOD BRANCH
QUEENS WEST DISTRICT
63-32 FOREST AVENUE
QUEENS, NEW YORK

THE CHURCH OF JESUS CHRIST OF LATTER-DAY SAINTS



DAVID A. RICHARDS, ARCHITECT, P.C.
117 HIGHBRIDGE STREET FAYETTEVILLE, NEW YORK 13066
PH. 315-637-0080 FAX 315-637-0880 R-ARCHWORLDNET.ATT.NET

ADA-01