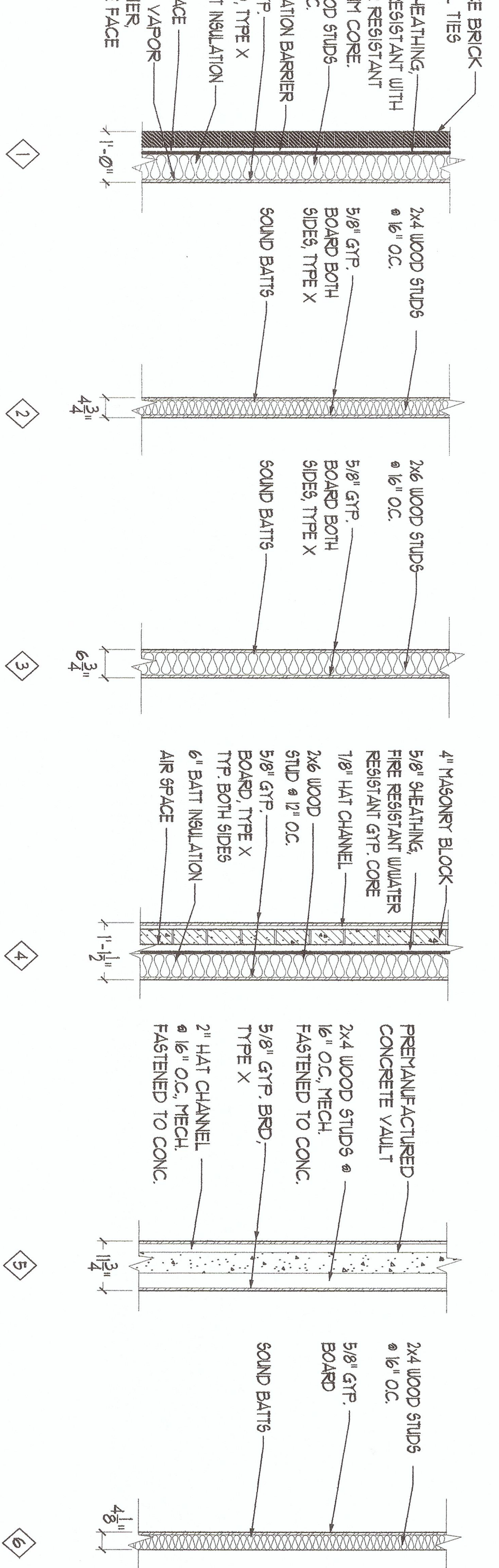
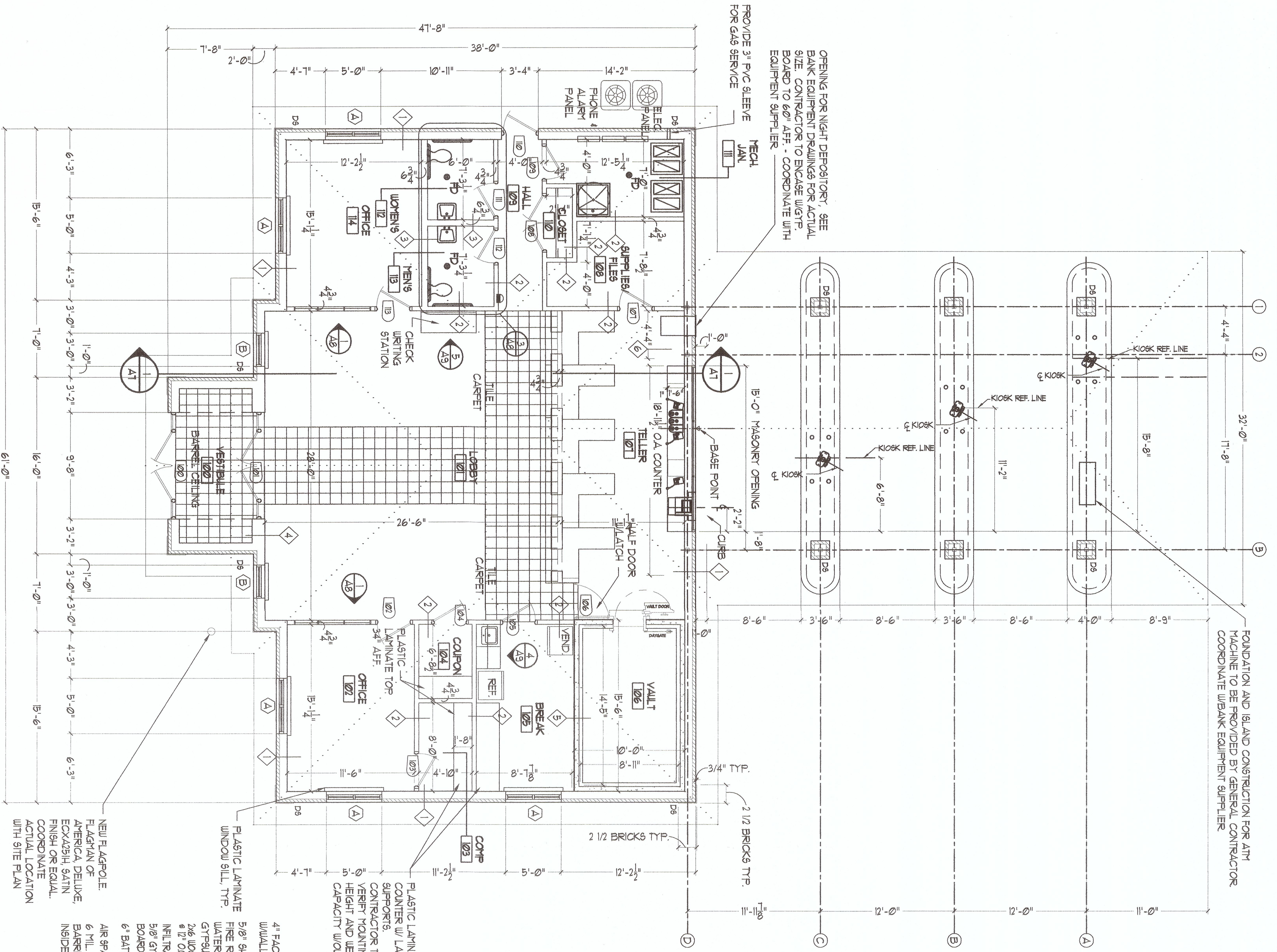


US66 STATION EQUATION
XXXXXX = 1000'



FIRST FLOOR PLAN
SCALE: 3/16" = 1'-0"

WALL PARTITION TYPES
SCALE: 1/2" = 1'-0"



- GENERAL NOTES:**
- DIMENSIONS ARE TO FACE OF FINISHED WALL, UNLESS OTHERWISE NOTED.
 - CONTRACTOR TO PROVIDE NECESSARY WOOD BLOCKING AT ALL WATER CLOSETS, LAVATORIES, URINALS, HAND RAILS, COUNTERTOPS, & CABINETS.
 - GYPSUM BOARD TO BE 5/8" TYPE X FIRE CODE THROUGHOUT INTERIOR OF BUILDING.
 - ALL GLAZING TO BE TEMPERED GLASS.
 - ALL SHEATHING TO BE 5/8" FIRE RESISTANT WITH WATER RESISTANT GYPSUM CORE.
 - FIRE EXTINGUISHERS TO BE DRY CHEMICAL, 10 LB. CAPACITY, RED COLORED HEAVY DUTY STEEL CYLINDER WITH PRESSURE INDICATING GAUGE FOR CLASS A, CLASS B, AND CLASS C FIRES, UL 44-60 BC RATING.
 - LOCATE KNOX BOX CENTERED ON SOUTH EXTERIOR WALL OF VESTIBULE.
 - BANK EQUIPMENT SUPPLIER IS TO BE DETERMINED. GENERAL CONTRACTOR TO SUPPLY NECESSARY FOUNDATIONS AND PREPARED WALL SPACES FOR EQUIPMENT (IE: VALLT, DRIVE-UP KIOSKS, CASH DRAWMER, AND NIGHT DEPOSITORY). SEE BANK EQUIPMENT DRAWINGS FOR ADDITIONAL CONTRACT ITEMS.
 - GENERAL CONTRACTOR TO NOTIFY OWNER AND BANK EQUIPMENT SUPPLIER WHEN TRUSS HOIST (CRANE) WILL BE AT SITE IN ORDER TO FACILITATE WITH VALLT INSTALLATION.
 - THREE (3) 2X2 HEADERS ABOVE EXTERIOR DOORS AND WINDOWS, TWO (2) 2X2 HEADERS ABOVE INTERIOR DOORS AND WINDOWS UNLESS OTHERWISE NOTED.
 - PLASTIC LAMINATE COUNTER IN COMPUTER ROOM 103 TO BE 20" DEEP.
 - BARREL GYPSUM BOARD CEILING IN VESTIBULE 100 IS 9'-8" WIDE OUTLOCKERS WILL BE REQUIRED FOR ROOF FRAMING OF GABLE.
 - CERAMIC TILE, MARRAZZI, STYLE: ETRUSCA, COLOR: SATIRIANA, 12" X 12".
 - RESILIENT FLOORING: VCT, AS COLORS PLUS COLOR FE-2034.
 - RESILIENT BASE: 4" COVE BASE, BLACK.
 - SHEET CARPET: SHAW DALE HOLLOW STYLE, COLOR: A0966, GREY (CUSTOM DYED).

- LEGEND**
- ◇ WALL PARTITION TYPE - SEE THIS SHEET FOR WALL PARTITION TYPES.
 - △ WINDOW ELEVATION NO. - SEE SHEET A8 FOR WINDOW ELEVATIONS
NOTE: ALL INTERIOR WINDOW SILLS TO BE PLASTIC LAMINATE.
 - 123 DOOR NO. - SEE SHEET A8 FOR DOOR SCHEDULE
 - 100 VESTIBULE ROOM NAME
 - 100 ROOM NUMBERS - SEE SHEET A8 FOR ROOM FINISH SCHEDULE.
 - FE RECESSED FIRE EXTINGUISHER
 - D6 ALUMINUM DOWNPOUT

SHEET
A4
OF 10

DATE:
10 FEB 06

PROJECT NO.
0534

DRAWN BY
EPM

FITCH-FITZGERALD, INC.
ARCHITECTS • ENGINEERS • ENVIRONMENTAL

1905 MONTANA DRIVE, SUITE 10
SPRINGFIELD, ILLINOIS 62704
PHONE: 217.523.6340 FAX: 217.523.8216

FIRST FLOOR PLAN
NEW BANKING FACILITY
SCHUYLER STATE BANK
1661 EAST JACKSON STREET
MACOMB, MCDONOUGH COUNTY, ILLINOIS 61455

REVISIONS		
NO.	DATE	REMARKS