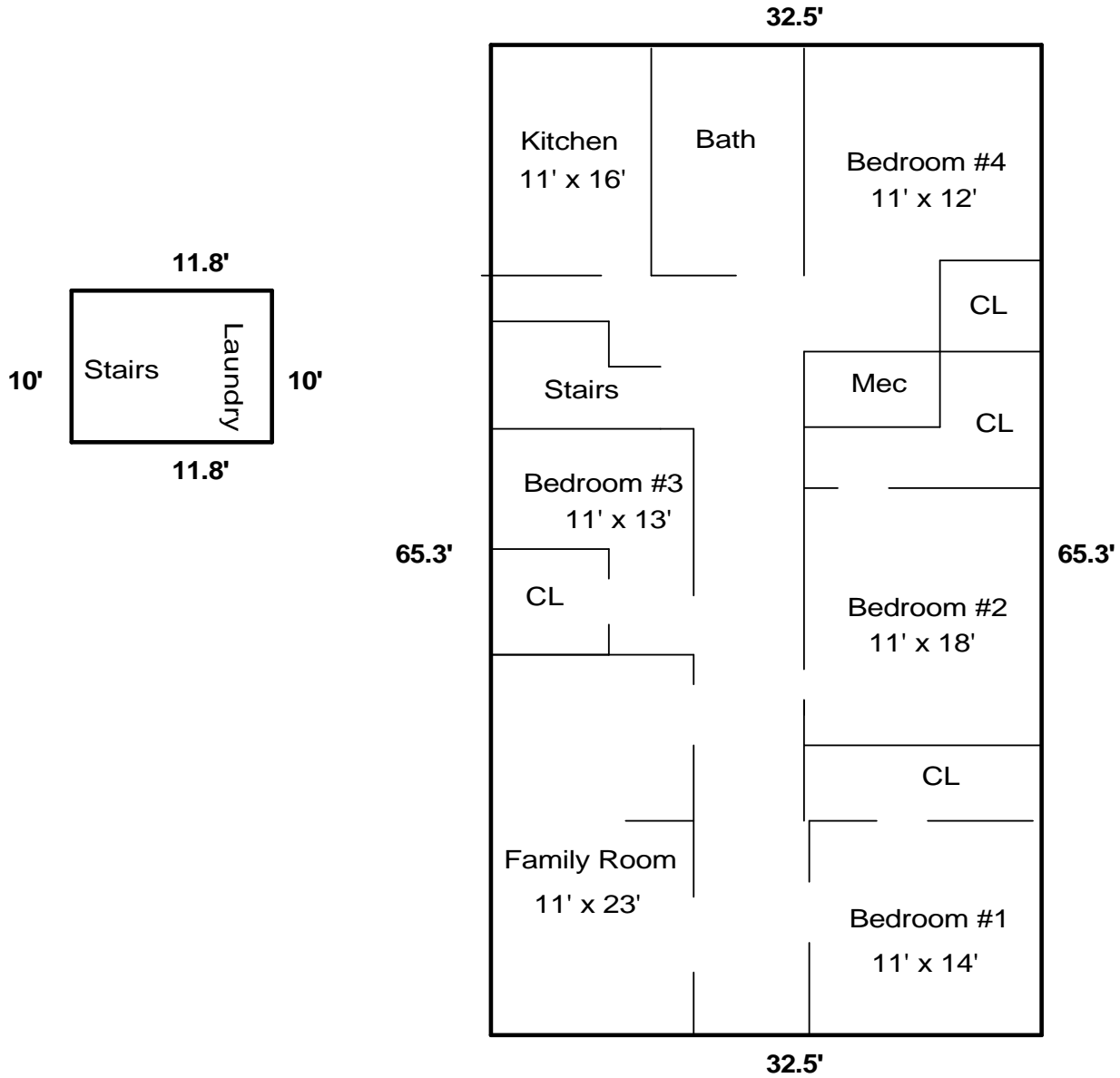


SKETCH ADDENDUM

Borrower or Owner			
Property Address 123 E. Main St. Suite C (Sketch)			
City Murfreesboro	County Rutherford	State Tn.	Zip Code 37130
Client Grant DeJean			



SUMMARY	SQ FT AREA	PERIMETER	AREA CALCULATION DETAILS		
Living Area			First Floor		
First Floor	2122	196	32.5 X	65.3 =	2122.2
Stairs	118	44	Stairs		
Total	2240	239	11.8 X	10.0 =	118.0