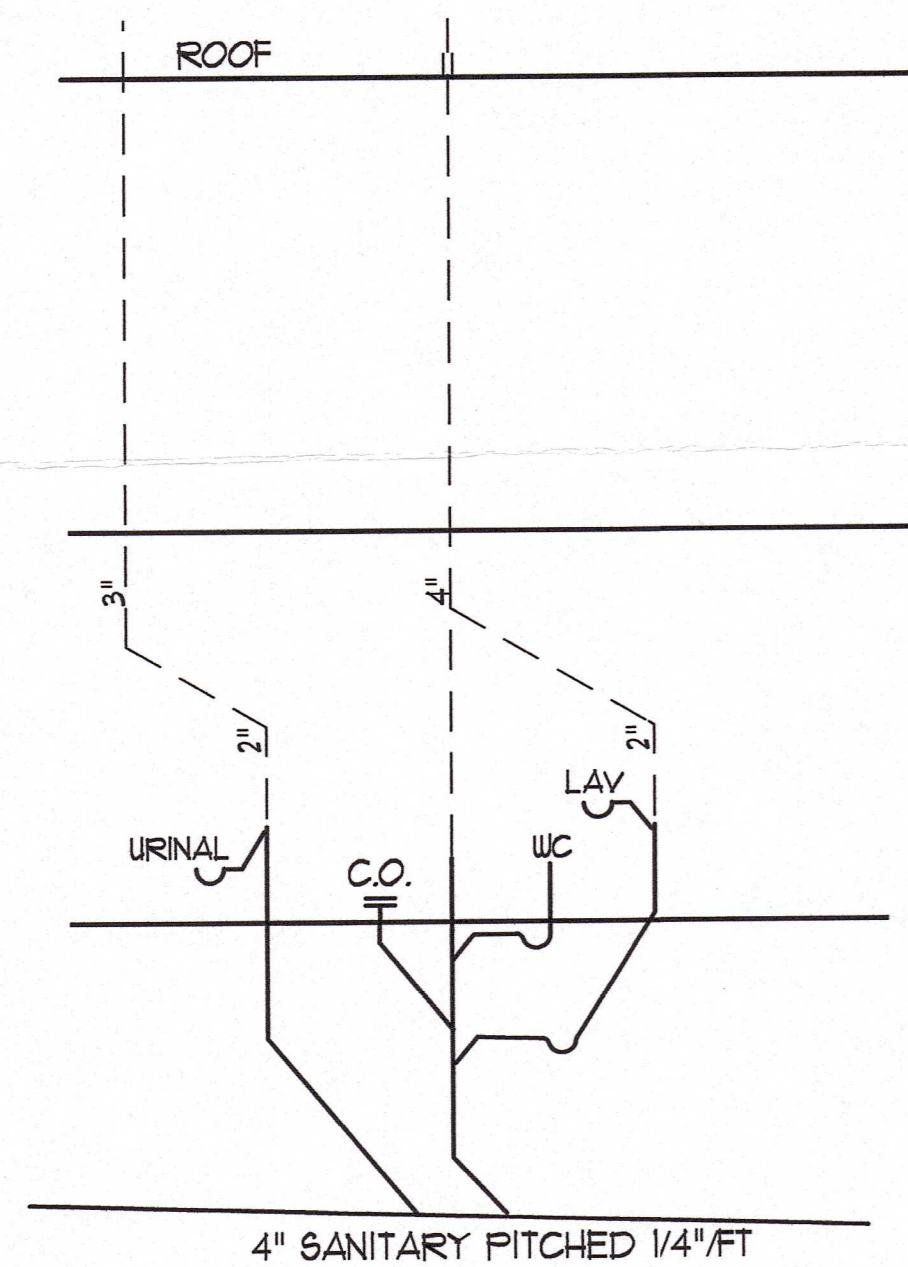
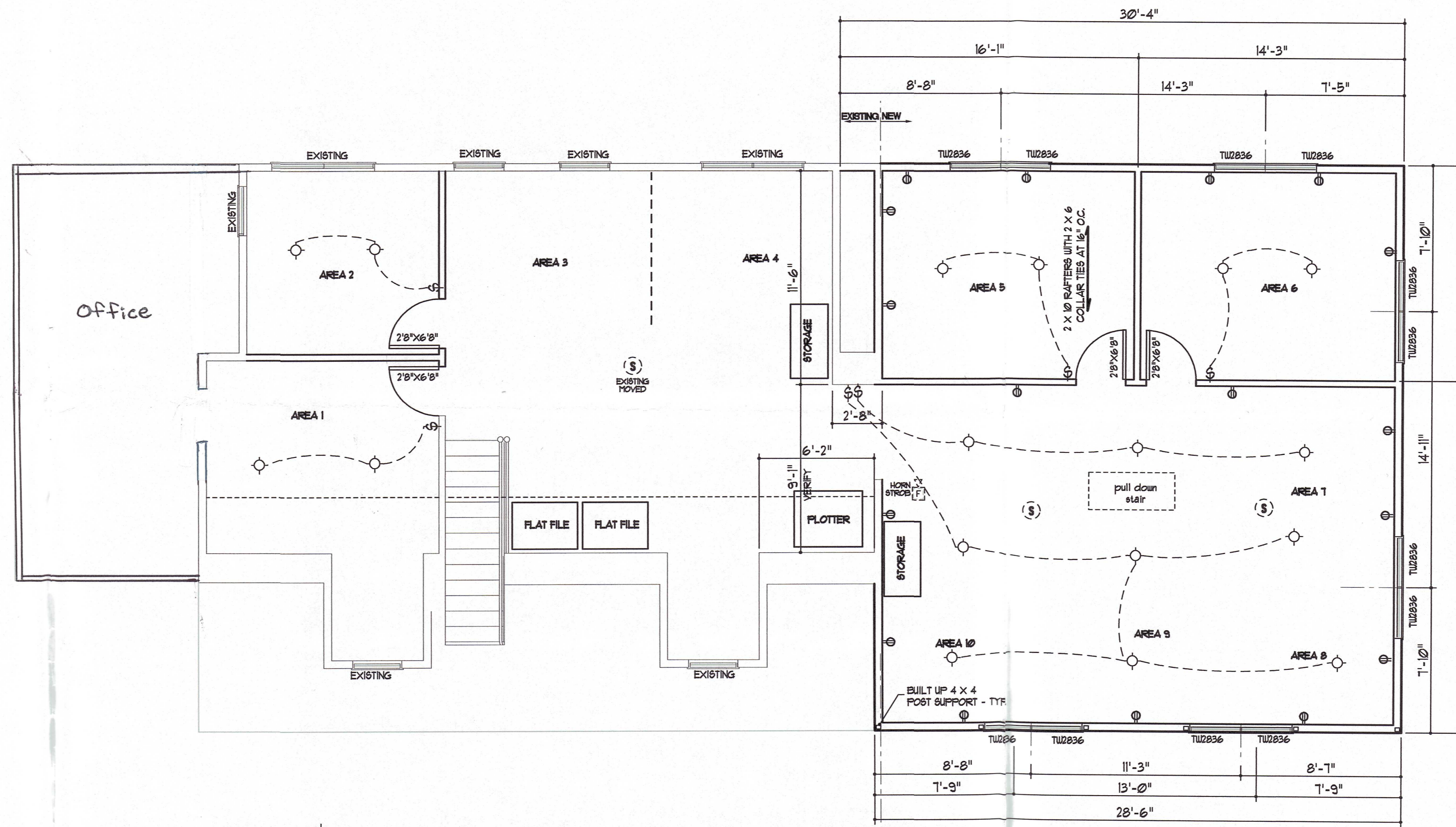


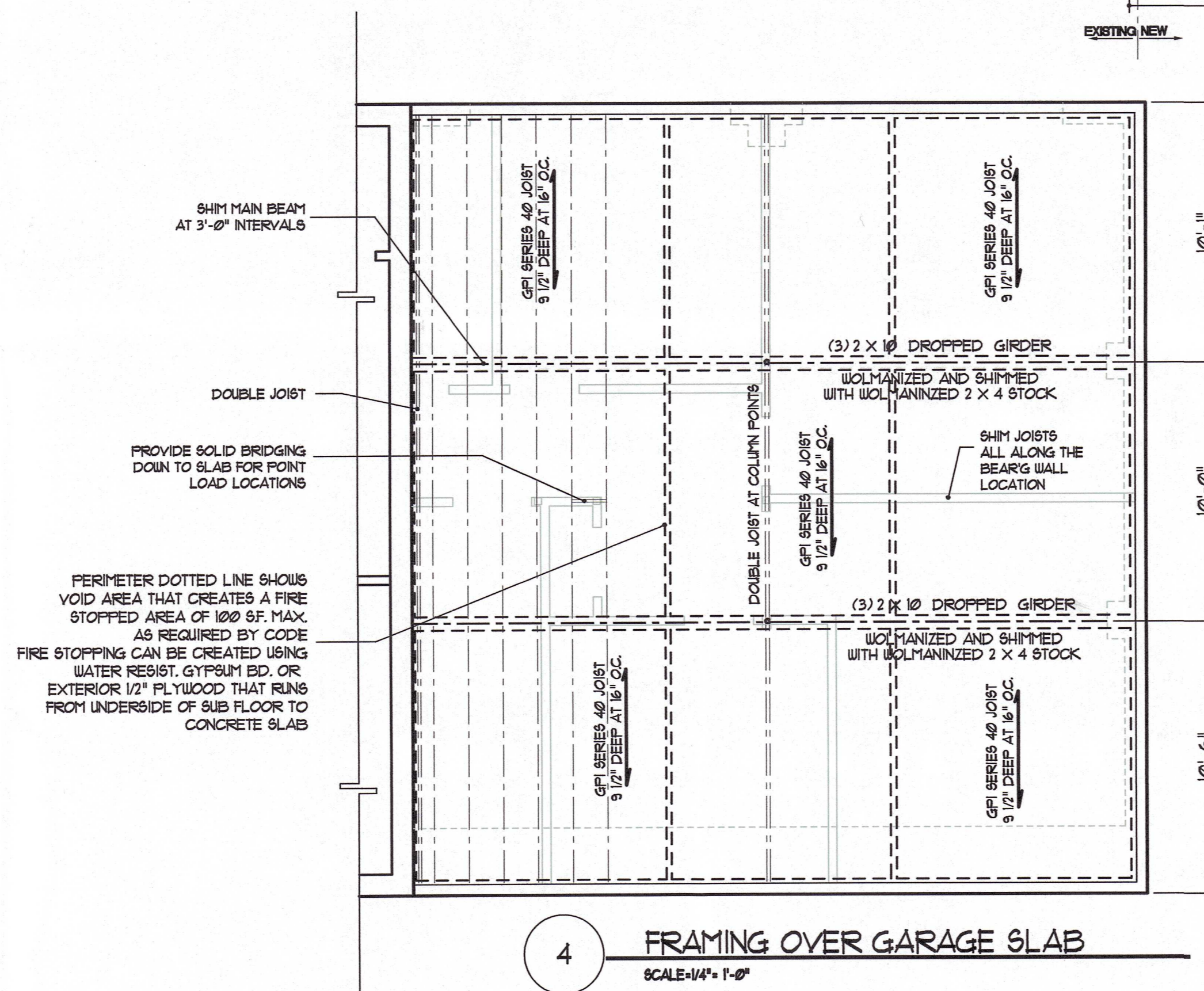
2 WINDOW DETAIL
NOT TO SCALE



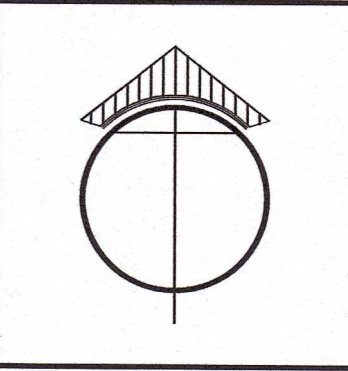
3 PLUMBING RISER DIAGRAM
NOT TO SCALE



1 SECOND FLOOR PLAN
SCALE 1/4\"/>



4 FRAMING OVER GARAGE SLAB
SCALE 1/4\"/>



3-3-06
FOR REVIEW
10-02-06
FOR PERMIT

DATE
8-31-05

SCALE
1/4\"/>

CADD No.
BASE

BY
REOB/SR

ADDITION/RENOVATION FOR
FINELLI ENGINEERING
WASHINGTON, NJ
FLOOR PLAN/DETAILS

PROJECT No.
2005-31

SHEET No.
A-4

RAYMOND E. O'BRIEN R.A. Inc.
ARCHITECTURE

P.O. BOX 361 19 MAIN ST. BLAIRSTOWN, NEW JERSEY 07825
TELE. (908) 362-3010 FAX (908) 362-8850

RAYMOND E. O'BRIEN R.A.
N.J. AI 12606