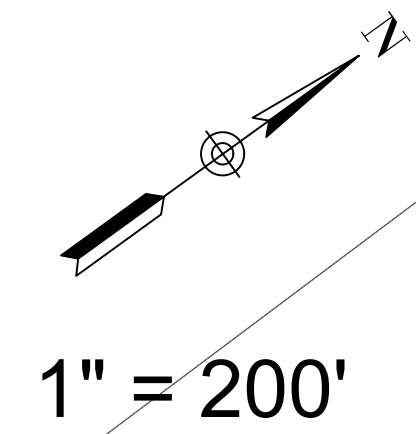


AGAVE SUBDIVISION
826 TOTAL LOTS



126 LOTS
(UNIT 7)
28.08 AC

107 LOTS
(UNIT 6)
27.72 AC

96 LOTS
(UNIT 5)
19.65 AC

104 LOTS
(UNIT 4)
18.32 AC

104 LOTS
(UNIT 3)
18.32 AC

146 LOTS
(UNIT 2)
29.30 AC


143 LOTS
(UNIT 1)
38.39 AC

K:\ASAP\Juno Texas, LLC\0406
 User: ncmamparan
 Last Modified: Oct 26, 2011 11:09 AM
 Plot: 0007.rvt Date: Oct 26, 2011 11:09 AM

AGAVE SUBDIVISION
LAND PLAN EXHIBIT

NO.	REVISIONS DESCRIPTION	BY	DATE

DATE:	04/26/2010
DESIGNED BY:	BB
DRAWN BY:	JUF
CHECKED BY:	BB
DRAWING NAME:	AgaveSubdivisionTitle.dwg


LJA Engineering, Inc.
 1100 NE Loop 410
 Suite 850
 San Antonio, Texas 78209
 Phone 210.503.2700
 Fax 210.503.2749
 TBE No. F-1386

JOB NUMBER:

SHEET NO.
1
OF 1 SHEETS

UNPLATTED
 ORNELA ERIC SANDRICH
 VOL. 1842 PG. 1852
 (75.88 AC)

UNPLATTED
 REDDY ASHOKA MALLADI & GANTHAY MALLADI & GIPASUBAN MALLADI
 VOL. 1215 PG. 1128
 DEED #2008010898
 (34.009 AC)

UNPLATTED
 FRAUSTO LUIS JAVIER
 VOL. 1858 PG. 0082
 (56.786 AC)

UNPLATTED
 PEREYRA ROMAN DOUG BRITTA VOL. 1853 PG. 1172
 DEED #2010009567
 (10.00 AC)

UNPLATTED
 RONALD LISA INC
 DEED #2010018595
 (77.81 AC)

UNPLATTED
 FRESHER CAROLINE
 VOL. 1215 PG. 1412
 (84.61 AC)

UNPLATTED
 HAWKINS THELMA
 (70.98 AC)

UNPLATTED
 WITZEL ARLENE, BECK DANIEL R & REEVES BARBARA J
 VOL. 1789 PG. 003
 DOCUMENT #2010008222
 (87.84 AC)

S36° 38' 50"W 1569.90'

S35° 35' 50"W 1390.00'

S35° 35' 50"W 695.00'